



Specifications for Project

THERMADOR APPLIANCES

HARDISON BUILDING INC

Salesperson

David Bullock

DAVID.BULLOCK@FERGUSON.COM

910-343-1510

Wilmington



REMINDER: To ensure a smooth project it is the responsibility of the homeowner / purchaser of appliances for this project to share all the attached specifications to ensure the cabinet provider, contractor, or any other tradesperson have all the information required to complete their work accurately.

Specifications are subject to change. If any tradesperson has questions regarding the attached specifications please contact our sales associate.

THERMADOR APPLIANCES

HARDISON BUILDING INC

P O BOX 809

WRIGHTSVILLE BEACH, NC 28480



<i>Contents</i>	<i>Page no.</i>
PRG366WH Thermador Range 36-Inch Pro Harmony® Standard Depth Gas Range	4-8
AK8400BS Zephyr Ventilation 21" Tornado Mini Insert	9-10
AK0846AS Zephyr Ventilation Accessory Stainless Steel Liner	11
DWHD640EFP Thermador Dishwasher 24" Professional Collection Emerald Dishwasher	12-13
MD24BS Thermador Microwave 24-inch Microdrawer Microwave	14-16
T36FT820NS	17-20

Ferguson

fergusonhome.com

David Bullock

Builder Outside Sales
910-343-1510

Bid No **B066060**

Version 1.1

Wed, Mar 11, 2026

3:03 PM EDT



enterprise.steelcod.com/sp/ferg/T9QSVMZ

Note about page numbers:

Because the original manufacturer's documents are not altered in any way, the page numbers displayed on the page may not correspond to the page number within this package.

All specifications are intended for initial planning purposes only.

Manufacturers reserve the right to change specifications at any time without notice. Always consult the installation instructions found on the manufacturer's website or included with the appliances before installation.

Thermador Refrigeration

36" Freedom® French Door Bottom Mount Refrigerator Professional Stainless Steel

ELFW7437AW

21-23

Electrolux Washer

Front Load Perfect Steam™ Washer with LuxCare® Wash - 4.5 Cu. Ft.

ELFE7437AW

24-26

Electrolux Dryer

Front Load Perfect Steam™ Electric Dryer with Instant Refresh – 8.0 Cu. Ft.

KUBL214KSB

27-29

KitchenAid Refrigeration

24" Beverage Center with Glass Door and Wood-Front Racks - Left Hinge

Note about page numbers:

Because the original manufacturer's documents are not altered in any way, the page numbers displayed on the page may not correspond to the page number within this package.

All specifications are intended for initial planning purposes only.

Manufacturers reserve the right to change specifications at any time without notice. Always consult the installation instructions found on the manufacturer's website or included with the appliances before installation.

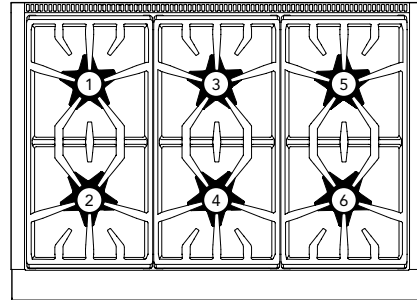
PRG366WH

36-INCH GAS PRO HARMONY® RANGE

PROFESSIONAL COLLECTION, STANDARD-DEPTH, PORCELAIN COOKTOP SURFACE



RANGETOP



Total number of cooktop Burners	6
1 – Power of Back Left Burner BTU	15,000 and XLO
2 – Power of Front Left Burner BTU	18,000 and XLO
3 – Power of Back Center Burner BTU	15,000
4 – Power of Front Center Burner BTU	18,000
5 – Power of Back Right Burner BTU	15,000
6 – Power of Front Right Burner BTU	18,000

OVEN

Oven Capacity	5.1 cu. ft.
Cooking Modes	
Bake, Convection Bake, Roast, Broil	
Sabbath	Yes
Self Clean	No
Telescopic Rack(s)	3
Interior Lights	2
Bake Power	20,500 BTU
Broil Power	17,500 BTU
Home Connect® (Wi-Fi Enabled)	Yes
Cavity Interior Dimensions (HxWxD)	16 3/8" x 29 1/8" x 18 5/8"
Cavity Usable Dimensions (HxWxD)	11 1/4" x 25 5/8" x 16 3/4"

DIMENSIONS & WEIGHT

Overall Appliance Dimensions (HxWxD)	35 3/4" – 36 3/4" x 35 15/16" x 24 3/4"
Required Cutout Size (HxWxD)	35 3/4" – 36 3/4" x 36" x 24"
Net Weight	415 lbs.



FEATURES & BENEFITS

- ★ - Exclusive Star® Burner delivers superior flame spread for more even heating with QuickClean Base® designed for easy cleaning
- ★ - 2 ExtraLow® burners offer precision simmering, melting or keeping warm
 - Includes three Full Access® telescopic racks, all with an integrated easy-grip handle
 - Powerful, 20,500 BTU bake and 17,500 BTU broil burners
 - Convection Bake offers precise multi-level baking results

TECHNICAL DETAILS

Circuit Breaker	15 A
Volts	120 V, 60Hz
Energy Source	Gas
Plug Type USA	120V – 3 Prong
Power Cord Length	65" (1,651mm)
Gas Supply	3/4"

WARRANTY

Limited Warranty, Entire Appliance, Parts and Labor	2 Year
---	--------

SEE PAGE 2 FOR INCLUDED AND OPTIONAL ACCESSORIES

PRG366WH

36-INCH GAS PRO HARMONY® RANGE

PROFESSIONAL COLLECTION, STANDARD-DEPTH, PORCELAIN COOKTOP SURFACE



ACCESSORIES (INCLUDED)

3 Telescopic Racks, Meat Probe, Island Trim

ACCESSORIES (OPTIONAL)



PWOKRINGHC
Wok Ring



PAGRIDDLE
Professional Griddle, Sits on Top of Grates Over 2 Star Burners, High-Release Coating



PARKB3XHY
Metallic Blue Knob Kit



PA12CHPBLK
Chopping Block / Cutting Board



PA36WLBH
Pro Harmony 7" Low Backguard*



PALPKITGA
LP Conversion Kit, Pro Harmony Gas Models with 4 and 6 Burners

PAALTKITH

High Altitude Kit, Natural Gas or Dual-Fuel Pro Harmony Ranges, 5,400 ft. to 10,200 ft.

[Contact Customer Support](#)

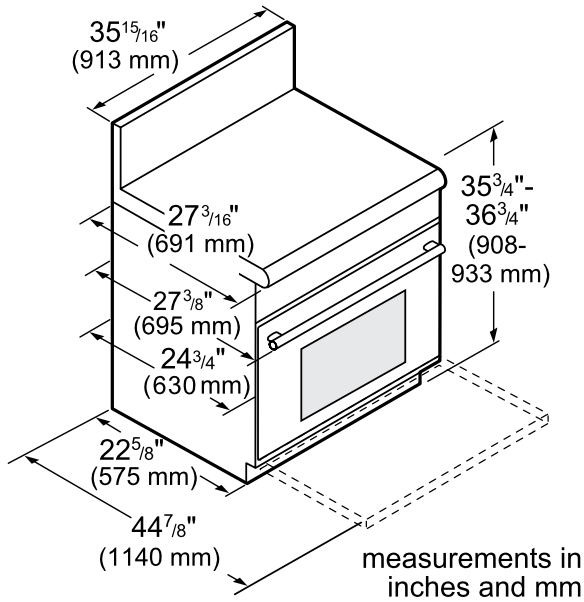
High Altitude Kit, Gas or Dual-Fuel Pro Harmony Ranges Connected to LP Gas, 10,000 ft. to 10,200 ft.

*Models PCG305xx, PRD305xx, PRD606xx, PRG305xx, PRG304xx and PRD304xx are suitable for 0" rear clearance to combustible surfaces. All other models: when using the included Island Trim a minimum 6" (152 mm) rear clearance is required to a combustible surface. When installing against a combustible surface, a Thermador® Low Backguard is required for a 0" rear clearance to the combustible surface. A Thermador Low Backguard must be purchased separately. A rear clearance to a surface covered in a noncombustible material (metal, ceramic tile, brick, marble, or stone) is 0" when using the included Island Trim. Clearances of less than 6" (152 mm) should be approved by the local codes and/or by the local authority having jurisdiction. Clearances from non-combustible materials are not part of the ANSI Z21.1 scope and are not certified by CSA.

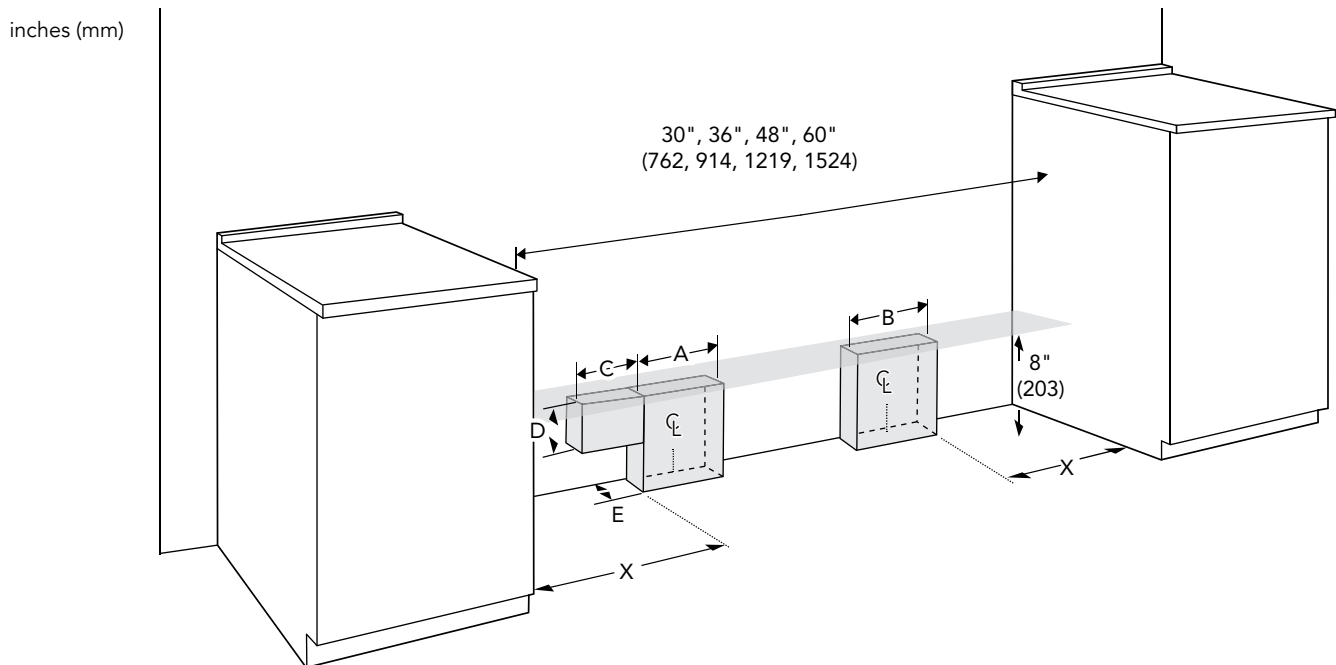
PRG366WH
36-INCH GAS PRO HARMONY® RANGE
 PROFESSIONAL COLLECTION, STANDARD-DEPTH, PORCELAIN COOKTOP SURFACE



36-INCH RANGE DIMENSIONS



36-INCH RANGE CUTOUT DIMENSIONS



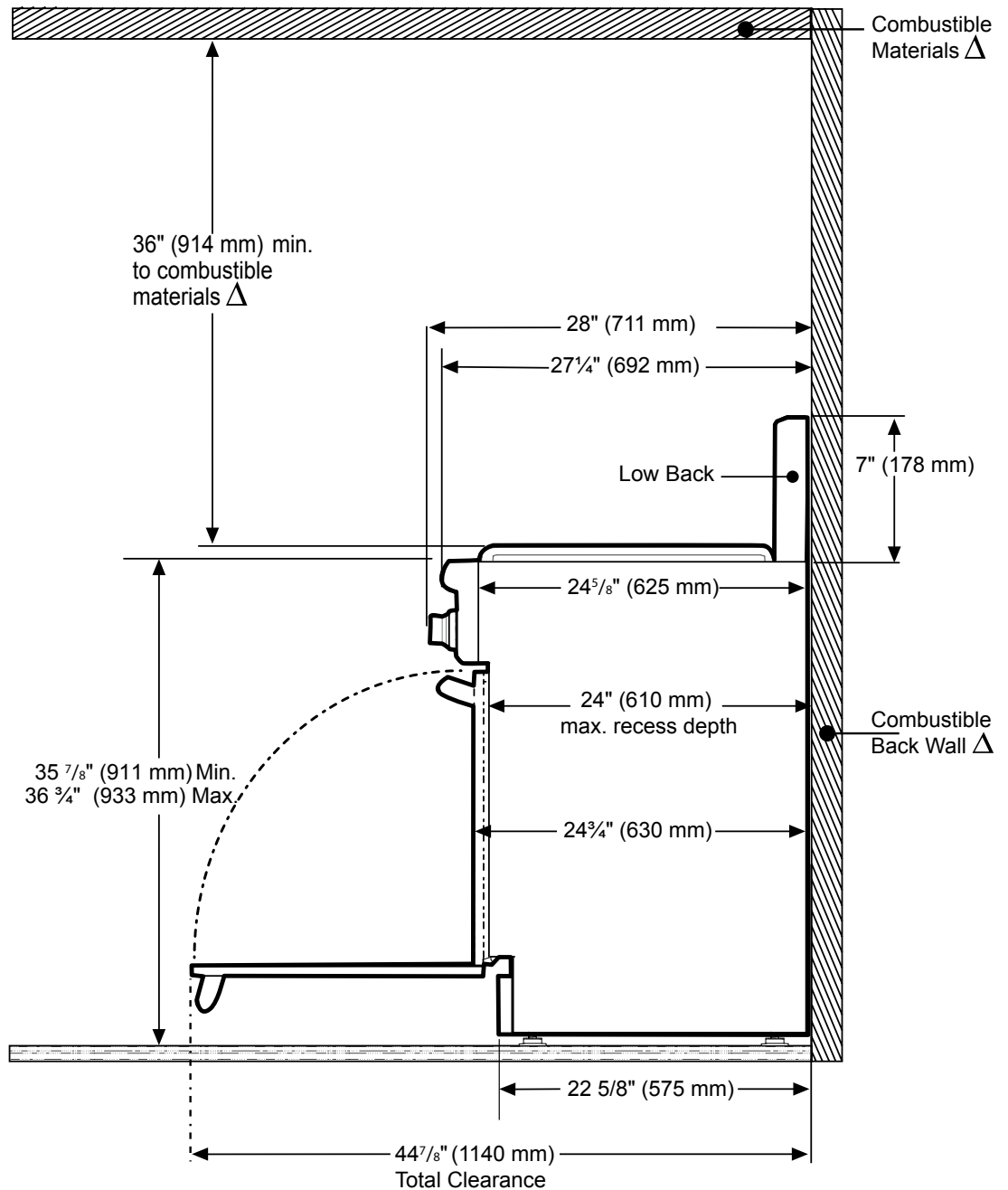
Range model	Gas zone A	Electric zone B	X	C	D	E
All Harmony series	4" (102)	6" (152)	5" (127)	N/A	N/A	2" (51)
36"/ 48" Grand series	4" (102)	6" (152)	8" (203)	4" (102)	3" (76)	2" (51)
60" Grand series	4" (102)	6" (152)	8" (203)	4" (102)	3" (76)	1" (25)

PRG366WH
36-INCH GAS PRO HARMONY® RANGE
 PROFESSIONAL COLLECTION, STANDARD-DEPTH, PORCELAIN COOKTOP SURFACE



36-INCH RANGE DIMENSIONS AND CLEARANCE REQUIREMENTS WITH "LOW BACK"

NOTE: A 36-inch minimum clearance is required between the top of the cooking surface and the bottom of an unprotected cabinet. A 30-inch clearance can be used when the bottom of the wood or metal cabinet is protected by not less than 1/4 inch of a flame retardant material covered with not less than No. 28 MSG sheet steel, 0.015 inch (0.4 mm) thick stainless steel, 0.024 inch (0.6 mm) aluminum, or 0.020 inch (0.5 mm) thick copper.

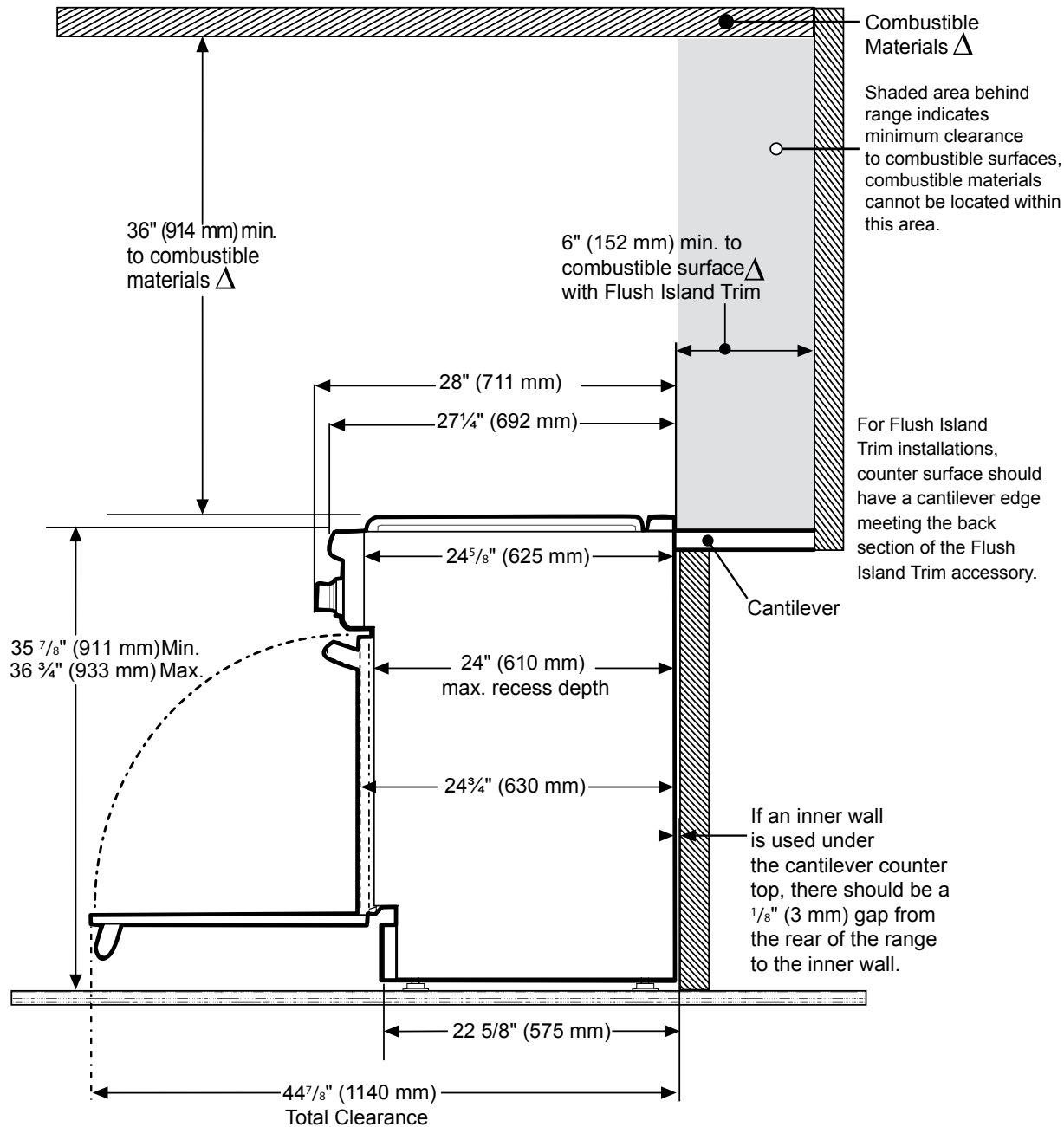


△ As defined in the "National Fuel Gas Code" (ANSI Z223.1, Current Edition). Clearances from non-combustible materials are not part of the ANSI Z21.1 scope and are not certified by CSA. Clearances of less than 6" (152 mm) must be approved by the local codes and/or by the local authority having jurisdiction.

PRG366WH
36-INCH GAS PRO HARMONY® RANGE
 PROFESSIONAL COLLECTION, STANDARD-DEPTH, PORCELAIN COOKTOP SURFACE



36-INCH RANGE DIMENSIONS AND CLEARANCE REQUIREMENTS WITH "FLUSH ISLAND TRIM"



Δ As defined in the "National Fuel Gas Code" (ANSI Z223.1, Current Edition). Clearances from non-combustible materials are not part of the ANSI Z21.1 scope and are not certified by CSA. Clearances of less than 6" (152 mm) must be approved by the local codes and/or by the local authority having jurisdiction.

These warranties give you specific legal rights and you may have other rights that vary from state to state. Limited warranty from date of delivery. For complete warranty details, refer to your Use & Care manual, or ask your dealer.

Specifications are for planning purposes only. Refer to installation instructions and consult your countertop supplier prior to making counter opening. Consult with a heating and ventilation engineer for your specific ventilation requirements. For the most detailed information, refer to installation instructions accompanying product or write to Thermador indicating the model number. Specifications are correct at time of printing. Thermador reserves the right to change product specifications or design without notice. Some models are certified for use in Canada. Thermador is not responsible for products that are transported from the U.S. for use in Canada.

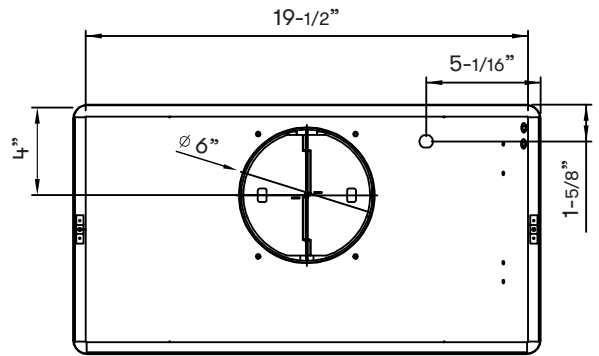
CORE

TORNADO MINI

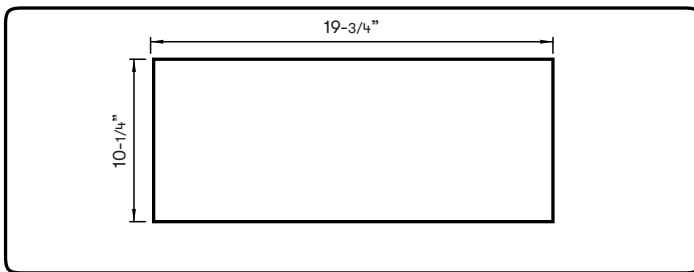
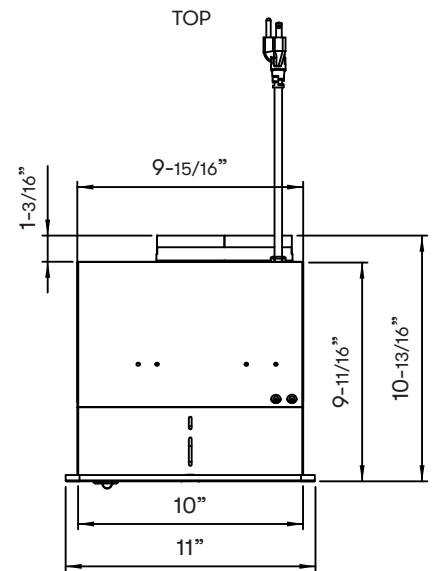
INSERT

ZEPHYR

ZEPHYRONLINE.COM

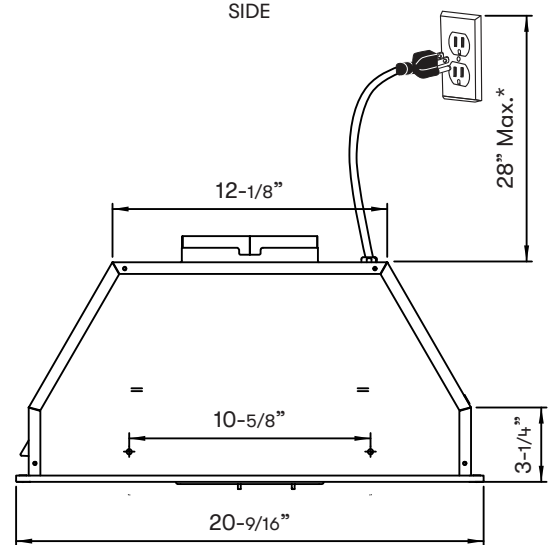


Shown with 30" adjustable depth liner, AK0840AS



Cabinet Bottom Cut-Out Size (W x D): 19-3/4" x 10-1/4"

SIDE



BACK

*Includes a 35" long grounded power cord

MODEL

Stainless Steel	AK8400BS
Size	21" (20-9/16")

BLOWER PERFORMANCE

Blower CFM (Min. - Max.)	210 - 400
Sones (Min. - Max.)	2 - 5

FEATURES

Controls	Mechanical Slide
Speed Levels	3
Auto Delay-Off	No
Lighting	LumiLight LED, 6W x2
Dual-Level Lighting	Yes
Filters	Aluminum Mesh x1
Recirculating Option	Yes

DUCT SPECIFICATIONS

Vertical Internal Blower	6" Round
Horizontal Internal Blower	NA
AC POWER	120V, 60Hz at Max. 3A

OPTIONAL ACCESSORIES

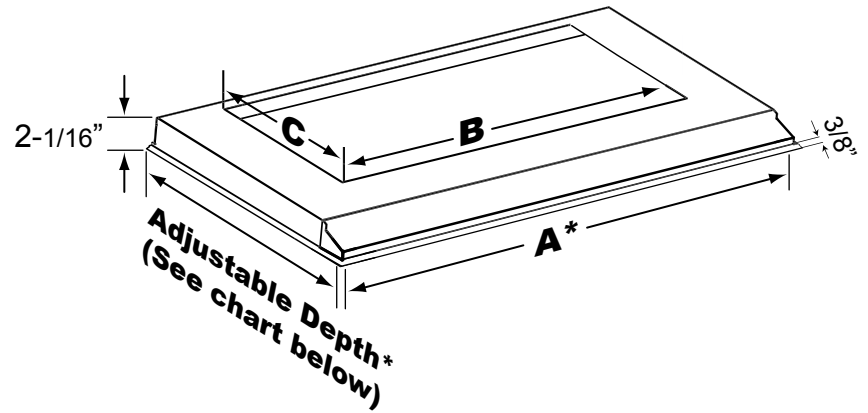
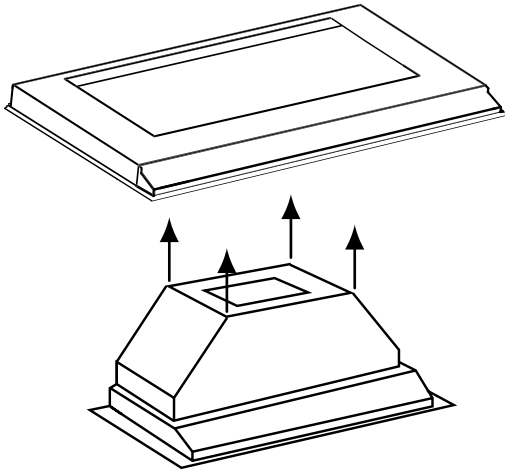
30" Liner (17-1/2" - 20-1/2" Depth)	AK0840AS
36" Liner (17-1/2" - 20-1/2" Depth)	AK0846AS
Recirculating Kit	ZRC-8400A

MOUNTING HEIGHT RANGE*

Electrical Cooktop	20" - 36"
Gas Cooktop	24" - 36"

WARRANTY	3 years parts, 1 year labor
-----------------	-----------------------------

*Mounting height refers to distance between top of a 36" tall cooking surface and bottom of hood.



STAINLESS STEEL LINER

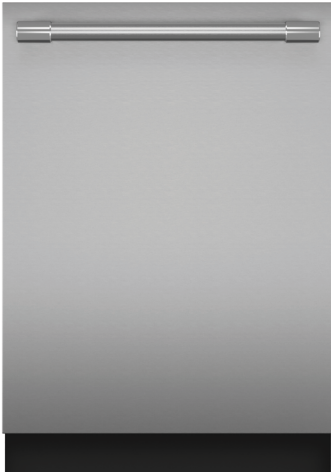
LINER MODEL	INSERT MODEL	CUSTOM HOOD WIDTH	*ADJUSTABLE DEPTH	*WIDTH (A)	INSERT CUT-OUT WIDTH (B)	INSERT CUT-OUT DEPTH (C)
AK0800AS	AK8000CS, AK8100BS AND AK8500AS	30 INCHES	17-1/8" - 20-1/8"	28-3/8"	26-11/16"	10-1/2"
AK0836AS		36 INCHES		34-3/8"		
AK0836AS	AK8134BS	36 INCHES	17-1/8" - 20-1/8"	34-3/8"	26-11/16"	10-1/2"
AK082360AS	AK8227AS	36 INCHES	17-3/8" - 19-5/8"	34-3/8"	26-1/4"	14"
AK083480AS	AK8340ASX	48 INCHES	17-3/8" - 19-7/8"	46-3/8"	39-1/4"	14"
AK083481AS		48 INCHES	20-1/4" - 22-3/4"	46-3/8"		
AK0840AS	AK8400BS AND AK8400BS-ES	30 INCHES	17-1/8" - 20-1/8"	28-3/8"	19-3/4"	10-1/4"
AK0846AS		36 INCHES		34-3/8"		

*Dimension does not include 3/8" wide flange around the liner.

DWHD640EFP

EMERALD® DISHWASHER

PROFESSIONAL COLLECTION HANDLE



HomeConnect

Also Available:

DWHD640EFM – Flat Stainless Steel Panel with Masterpiece® Collection Handle

DWHD640EPR – Custom Panel

FEATURES & BENEFITS

- Chef's Tool Drawer® (3rd Rack) is designed to make loading and unloading tools and hard to place items extraordinarily easier
- Three stage advanced filtration recirculates water for sparkling results
- 3-Level adjustable upper rack is customizable for all of your needs, designed to be raised for extra large items placed on the bottom rack, or lowered to fit taller wine glasses on the upper rack
- Extra Dry Option adds extra heat to the final rinse to enhance drying results
- Impressively Quiet — 48 dBA for peaceful kitchen experience
- Use the exclusive Home Connect® app to refine your cleanup routine with remote control and receive timely notifications that keep track of every dish tab so you never run out

GENERAL PROPERTIES

Number of Wash Cycles	6 (Auto, Normal, Quick, Hand Wash, Pots & Pans, Favorite)
Additional Wash Cycles in Home Connect®	2 (Machine Care, Rinse)
Number of Options	4 (Remote Start, Sanitize, Power Boost, Extra Dry)
Additional Options in Home Connect®	1 (Save Time)
NSF®-Certified* Sanitize Option	Yes
dBA	48
Third Rack	Chef's Tool Drawer®
Rack Adjustability	Rackmatic 3-Stage
Tub Material	Stainless Steel
Concealed Water Heating Element	Yes
Leak Protection System	24/7 AquaStop®
Water Softener	No
Five-Level Wash	Yes
Childlock	No
Home Connect® (Wi-Fi Enabled)	Yes

EFFICIENCY

Water Usage Per Cycle	3.2 g
CEE Energy Efficiency Class	Tier 1
ENERGY STAR® Certified	Yes
Total Annual Energy Consumption	240 kWh
Total Annual Water Consumption	623.5 g

CAPACITY

Number of Place Settings	16
--------------------------	----

TECHNICAL DETAILS

Watts	1,440 W
Current	12 A
Volts	120 V
Frequency	60 Hz
Power Cord Length	67"
Power Cord Install Length from Corner of Unit when Facing the Door	Left - 45" Right - 56"
Minimum Water Pressure	14 (lb/sin)
Max. Temperature for Water Intake	140° F
Length Inlet Hose	N/A
Length Outlet Hose	90.5"

DIMENSIONS & WEIGHT

Overall Appliance Dimensions (HxWxD)	33 7/8" x 23 9/16" x 23 3/4"
Required Cutout Size (HxWxD)	33 7/8" Min. x 24" Min. x 24"
Adjustable Feet	Yes
Net Weight	85.1 lbs

*Certification to NSF/ANSI Standard 184 for residential dishwashers

DWHD640EFP

EMERALD® DISHWASHER

PROFESSIONAL COLLECTION HANDLE



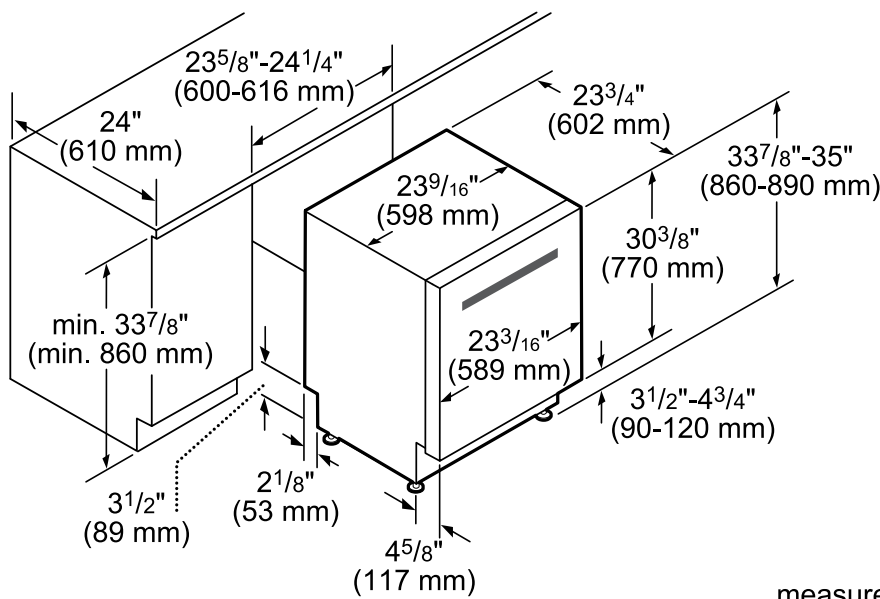
WARRANTY

Limited Warranty, Entire Appliance, Parts and Labor	2 Year
Limited Warranty for Microprocessor or Printed Circuit Board; Parts Only	3rd to 5th Year
Limited Warranty for Racks (Does Not Include Rack Components); Parts Only	3rd to 5th Year
Limited Warranty for Rust-through On Inner Tub Liner; Parts Only	Lifetime

ACCESSORIES (OPTIONAL)

Dishwasher Installation Kit (Junction Box, 90° Elbow and Water Supply Hose)	SMZ3IN1UC
Dishwasher Supply and Drainage Hose Extension 76 3/4"	SGZ1010UC
Junction Box	SMZPCJB1UC
Cabinet Protector with Power Cord Clip	SMZEPCC1UC
Water Supply Hose	SMZSH1ABUC

DISHWASHER & CUTOUT DIMENSIONS



measurements in inches and mm

These warranties give you specific legal rights and you may have other rights that vary from state to state. Limited warranty from date of delivery. For complete warranty details, refer to your Use & Care manual, or ask your dealer.

Specifications are for planning purposes only. Refer to installation instructions and consult your countertop supplier prior to making counter opening. Consult with a heating and ventilation engineer for your specific ventilation requirements. For the most detailed information, refer to installation instructions accompanying product or write to Thermador indicating the model number. Specifications are correct at time of printing. Thermador reserves the right to change product specifications or design without notice. Some models are certified for use in Canada. Thermador is not responsible for products that are transported from the U.S. for use in Canada.

MD24BS

24-INCH MICRODRAWER® MICROWAVE

MASTERPIECE® & PROFESSIONAL COLLECTION



FEATURES & BENEFITS

- Easy touch to automatic “open” and “close” enables hands-free operations
- Concealed drop-down panel effortlessly opens to a convenient 60° angle for easy readability and operation
- Spacious and easy to clean enameled cavity with 1.2 cu. ft. interior fits a 20 oz. cup or a 13" x 9" pan
- Achieve a perfectly flush installation in any standard depth cabinetry
- Sensor Cooking is designed to effortlessly manage humidity levels, automatically adjusting cooking time and intensity for optimal results every time
- 10 versatile Microwave Programs, including melt, warm, and soften to accomplish culinary tasks of all sizes with ease

GENERAL PROPERTIES

Cavity Color	White
Microwave Power	950 W

CAPACITY

Cavity Capacity	1.2 cu. ft.
-----------------	-------------

TECHNICAL DETAILS

Watts	1,500 W
Circuit Breaker	15 A
Volts	120 V
Frequency	60 Hz
Plug Type	120V-3 Prong
Power Cord Length	48"

DIMENSIONS & WEIGHT

Overall Appliance Dimensions (HxWxD)	16 5/16" x 23 7/8" x 23 3/8"
Required Cutout Size (HxWxD) – Standard Install	15 9/16" x 22 1/8" x 23 1/2"
Required Cutout Size (HxWxD) – Flush Install	16 5/8" x 24 3/16" x 23 1/2"
Net Weight	74 lbs.

WARRANTY

Limited Warranty, Entire Appliance, Parts and Labor	2 Year
---	--------

†To be fully ADA compliant, these units must be installed according to ADA guidelines. Please check current ADA requirements for guidance on installation.

MD24BS

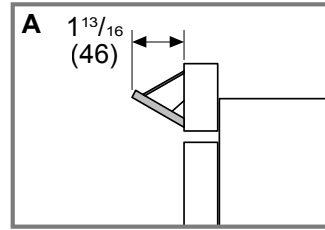
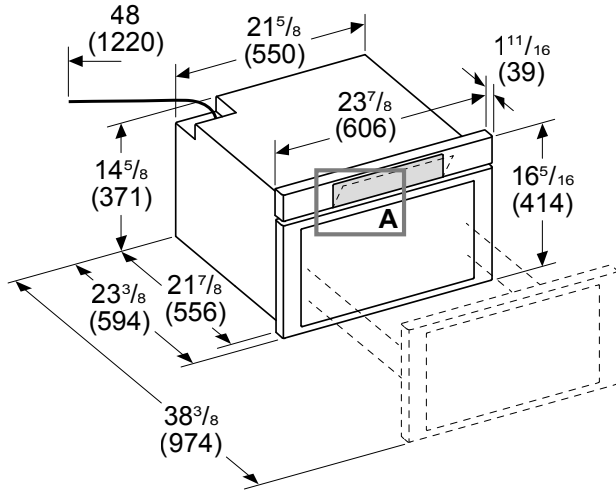
24-INCH MICRODRAWER® MICROWAVE

MASTERPIECE® & PROFESSIONAL COLLECTION



PRODUCT DIMENSIONS

Measurements in inches (mm)



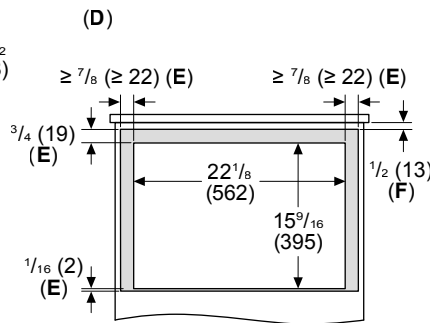
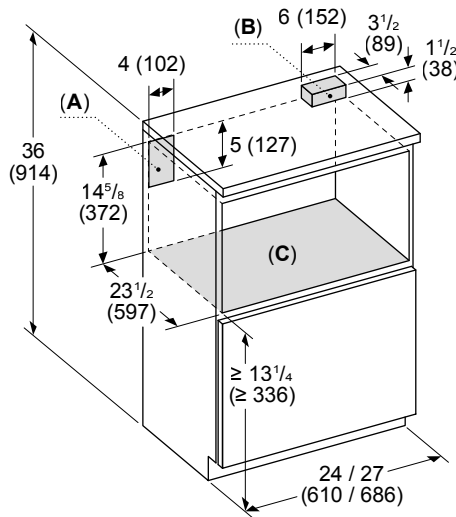
MD24BS

24-INCH MICRODRAWER® MICROWAVE

MASTERPIECE® & PROFESSIONAL COLLECTION



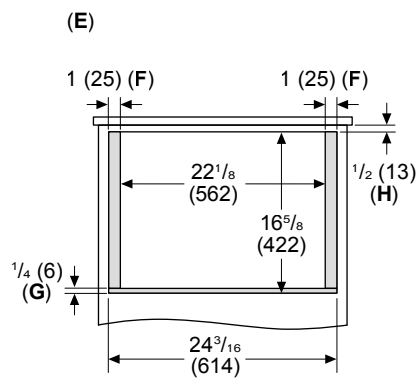
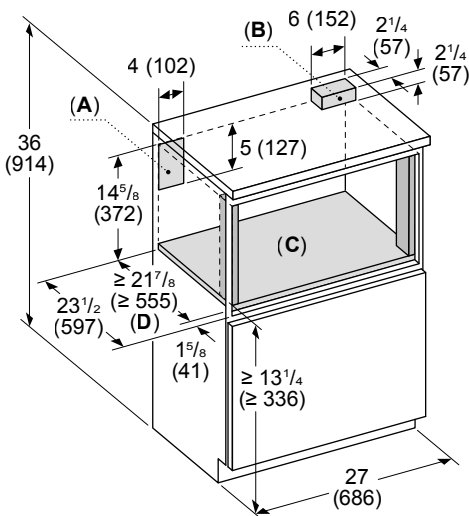
STANDARD INSTALLATION



- A:** Recommended location of electrical outlet
- B:** Anti-tip block
- C:** Base should support up to 100 lb
- D:** Front view of cut-out
- E:** Overlap
- F:** Visible area

If under a counter, minimum clearance to counter top should be $\frac{7}{16}$ " (11 mm)
 Measurements in inches (mm)

FLUSH INSTALLATION



- A:** Recommended location of electrical outlet
- B:** Anti-tip block
- C:** Base should support up to 100 lb
- D:** Base depth
- E:** Front view of cut-out
- F:** Sides should be finished and extend back to cleat

Cleats should also be finished, as they may be visible after installation

- G:** Base thickness
- H:** Visible area

If under a counter, minimum clearance to counter top should be $\frac{7}{16}$ " (11 mm)
 Measurements in inches (mm)

These warranties give you specific legal rights and you may have other rights that vary from state to state. Limited warranty from date of delivery. For complete warranty details, refer to your Use & Care manual, or ask your dealer.

Specifications are for planning purposes only. Refer to installation instructions and consult your countertop supplier prior to making counter opening. Consult with a heating and ventilation engineer for your specific ventilation requirements. For the most detailed information, refer to installation instructions accompanying product or write to Thermador indicating the model number. Specifications are correct at time of printing. Thermador reserves the right to change product specifications or design without notice. Some models are certified for use in Canada. Thermador is not responsible for products that are transported from the U.S. for use in Canada.

T36FT820NS

36-INCH STAINLESS STEEL FREESTANDING FRENCH DOOR BOTTOM FREEZER

PROFESSIONAL COLLECTION HANDLES



Also Available In:
T36FT810NS – Masterpiece® Collection Handles

FEATURES & BENEFITS

- Best in class lighting: see everything with a fully illuminated back panel and adjustable theater lighting
- Dual evaporators / dual compressors
- Internal ice and water provides easy access with a clean exterior
- ThermaFresh® system, humidity and temperature controlled drawers
- Stainless steel ThermaFresh® mats included with drawers for easy cleaning

STYLE

Door Style	Stainless Steel Panel
Handle Style	Professional
Interior Finish	Illuminated Back Panel
Door Configuration	3-door

INNOVATION

Wi-Fi-Enabled for Control with Home Connect® App	Yes
Remote Monitoring and Control	Yes
Diamond Ice	Yes
Camera in the Appliance	No

PERFORMANCE

ThermaFresh® System	Yes
Dual Compressor	Yes
Dual Evaporators	Yes
Automatic Defrosting	Yes
Modes	Economy, Sabbath, Vacation, Demo, SuperCool, SuperFreeze®
Internal Water Dispenser	Yes
Water Filter (6 Months)	Yes
Air Fresh Filter	Yes
Ethylene Filter (6 Months)	Yes

CAPACITY AND STORAGE

Total Capacity (cu. ft.)	20.8
Refrigerator Capacity (cu. ft.)	14.8
Freezer Capacity (cu. ft.)	6
Tiered Freezer Storage Drawer	3 Tier
Thermafresh® Temperature & Humidity Managed Drawers	2
Thermafresh® Mats	2

ThermaFresh® Crisper Drawer Modes (° F/Humidity)	Meat/Fish (29° F/Low), Fruit (32° F/Low), Vegetables (32° F/High), Beverages (34° F/Low), Snacks/Misc. (40° F/Low)
Storage Shelves	4 Adjustable, 1 Fixed
Shelf Material	Glass w/Metal Profile
Standard Door Bins	4 Adjustable
Gallon Door Bins	2 Adjustable

GENERAL FEATURES

Full 72" Height and True Counter-Depth for Built-In Appearance	Yes
Internal Control Panel	Yes
Water Tank Capacity (oz)	30.4
Water Filter Replacement Indicator	Yes
Ice Maker with Diamond Ice System	Yes
Ice Production (24 Hrs.), Diamond Ice (lbs.)	3.5
Ice On / Off	Yes
Ice Storage Capacity (lbs.)	8.8
Lighting	LED Recessed Side Light Bars & Fully Illuminated Back Panel
Independent Cooling Systems	2
Door Alarm	Yes
Cooling System	Multi-Air-Flow
Maximum Sound Level	40 dBA
Star-K Certified Sabbath Mode	Yes
ENERGY STAR® Certified	Yes
Annual Energy Consumption	570 kWh

T36FT820NS

36-INCH STAINLESS STEEL FREESTANDING FRENCH DOOR BOTTOM FREEZER

PROFESSIONAL COLLECTION HANDLES



OPERATING TEMPERATURE

Refrigerator: 33°F (1°C) to 43°F (6°C)
Freezer: -7°F (-22°C) to 6°F (-14°C)
ThermaFresh® Drawer: 29°F (-2°C) to 40°F (4°C) 5 Preset Modes
SuperCool: 36°F (2°C) for Approximately 6 Hours
SuperFreeze®: -22°F (-30°C) for Approximately 8 Hours

INSTALLATION FEATURES

Four Point Front Adjustable with 4 Wheels	Yes
Front Serviceable	Yes

TECHNICAL SPECS

Required Power Supply	110-127 V, 60 Hz, 10 Amp
Plug Type	120V-3-Prong
Power Cord Length (inches)	67"

DIMENSIONS AND WEIGHT

Overall Width (Inches)	35 5/8"
Overall Height (Inches)	72"
Overall Depth (Inches)	31 7/16"
Overall Depth Without Hinges and Doors (Inches)	24"
Overall Depth With Hinges and Doors, No Handles (Inches)	28 3/4"
Required Cutout Size (HxWxD) (Inches)	72" x 36" x 25"
Net Weight (Approx.) (lbs.)	326
Gross Weight (Approx.) (lbs.)	353

OPTIONAL ACCESSORIES

Replacement Water Filter	REPLFLTR55
Ethylene Filter Refill (Part No.)	17005225
Ethylene Filter Starter Kit (Part No.)	17005228
Replacement Carbon Air Filter (Part No.)	10009874
90 Degree Door Stopper	10012733

WARRANTY

Limited Warranty, Parts & Labor	2 Years
---------------------------------	---------

SUPPLEMENTAL MATERIAL

CAD File	Click Here to Download
Installation Manual	Click Here to Download
Use & Care Guide	Click Here to Download
Warranty	Click Here to Download
Energy Guide	Click Here to Download
Home Connect® Quick Start Guide	Click Here to Download

T36FT820NS

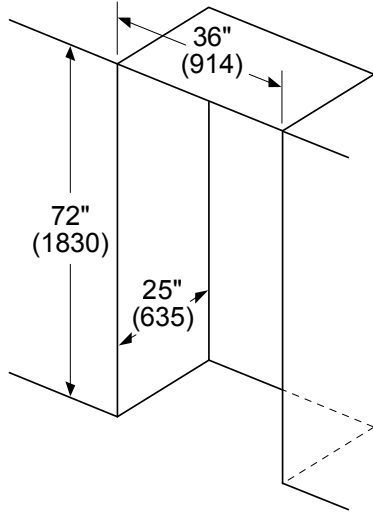
36-INCH STAINLESS STEEL FREESTANDING FRENCH DOOR BOTTOM FREEZER

PROFESSIONAL COLLECTION HANDLES



CUTOUT DIMENSIONS

measurements in inches (mm)

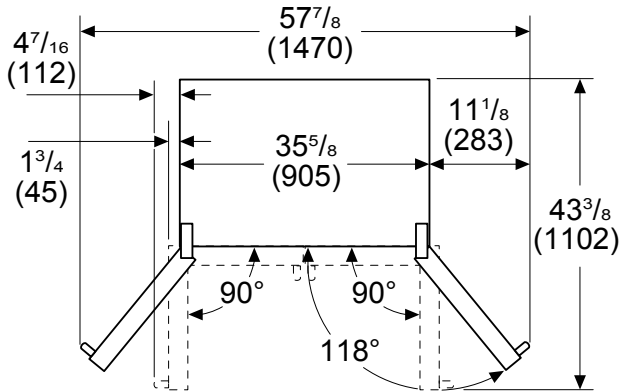


Leave 1/2" (12.7) gap at the top and 1" (25.4) behind the refrigerator for proper ventilation.

It is recommended that you do not install the refrigerator near a heat source such as a stove or a range.

TOP VIEW CLEARANCE

Measurements in inches (mm)



Drawers can be pulled out with door open to 90°
 Drawers can be taken out with door completely opened

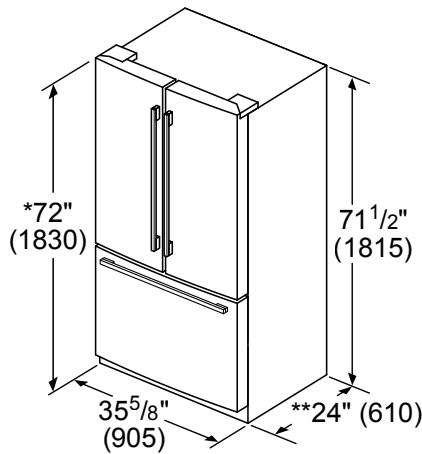
T36FT820NS

36-INCH STAINLESS STEEL FREESTANDING FRENCH DOOR BOTTOM FREEZER

PROFESSIONAL COLLECTION HANDLES



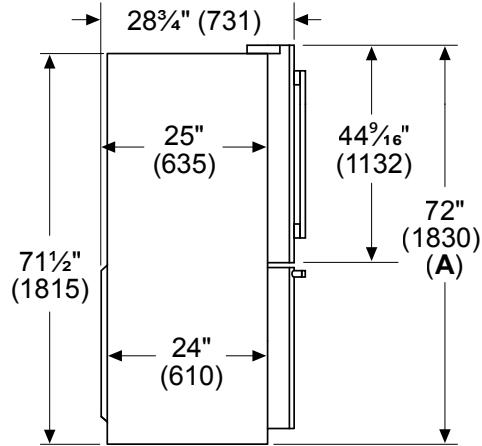
PRODUCT DIMENSIONS



* Add $\frac{5}{8}$ " (17) with front leveling feet fully extended
 ** Add 1" (25) for fixed spacers on back

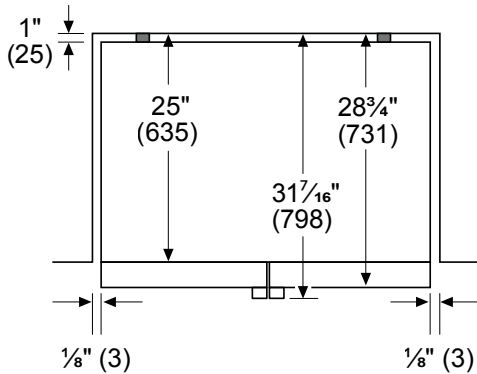
measurements in inches (mm)

Measurements in inches (mm)



A: Add $\frac{5}{8}$ " (17) with front leveling feet fully extended

Measurements in inches (mm)



ACCESSORIES (OPTIONAL)



REPLFLTR55
Replacement Water Filter



17005228
Ethylene Filter Starter Kit



17005225
Ethylene Filter Refill



10012733
90 Degree Door Stopper



10009874
Replacement Carbon Air Filter

These warranties give you specific legal rights and you may have other rights that vary from state to state. Limited warranty from date of delivery. For complete warranty details, refer to your Use & Care manual, or ask your dealer.

Specifications are for planning purposes only. Refer to installation instructions and consult your countertop supplier prior to making counter opening. Consult with a heating and ventilation engineer for your specific ventilation requirements. For the most detailed information, refer to installation instructions accompanying product or write to Thermador indicating the model number. Specifications are correct at time of printing. Thermador reserves the right to change product specifications or design without notice. Some models are certified for use in Canada. Thermador is not responsible for products that are transported from the U.S. for use in Canada.



Front Load Perfect Steam™ Washer with LuxCare® Wash - 4.5 Cu. Ft.
Front Load Washer

Available Products: ELFW7437AD, ELFW7437AG, ELFW7437AT,
ELFW7437AW

Available Colors: Denim Blue, Glacier Blue, Titanium, White

Version: 01/26

Product Specifications

Washer		Washer Cycles	
Drum Light	No	Cycle Count	7
Drum Material	Stainless Steel	Clean Washer	Yes
Maximum Spin Speed	1300 RPM	Delicates	Yes
Water Heater	Yes	Fast Wash	Yes
Water Level Adjustment	Yes	Heavy Duty	Yes
		Normal	Yes
		Rinse and Spin	Yes
		Whitest Whites	Yes
Washer Options		Soil Levels	
Delay Start Time	1-12 Hours	Extra Light	Yes
Extended Refresh	Yes	Light	Yes
Extra Rinse	Yes	Normal	Yes
Perfect Steam	Yes	Heavy	Yes
Stain Treat	Yes	Solid Soil	Yes
Steam	Yes		
Washer Spin Speeds		Controls	
Spin Speed Selections	5	Cancel	Yes
Max	Yes	Control Lock	Yes
High	Yes	Cycle Status Lights	Yes
Medium	Yes	Delay Start	Yes
Low	Yes	Pause Function	Yes
No Spin	Yes	Power On/Off	Yes
		Start	Yes
Temperature Settings		Dimensions and Volume	
Eco Cold	Yes	Height	38"
Cool	Yes	Width	27"
Warm	Yes	Depth	32"
Hot	Yes	Depth With Door 90° Open	53 1/2"
Sanitize	Yes	Washer Drum Capacity	4.5 Cu. Ft.
Dispenser		Energy Data	
Bleach Dispenser	Yes	Integrated Modified Energy Factor	2.92
Detergent Dispenser	Yes	Integrated Water Factor	3.2
Fabric Softener Dispenser	Yes	kWh/cycle	0.29 kWh
Prewash Detergent Dispenser	Yes	kWh/year	85 kWh
PODs Dispenser	Yes	Water Usage/Year	4248 Gallons
Exterior			
Door Latch	Yes		
Reversible Door	Yes		
Electrical Specifications			
Minimum Circuit Required	15 Amps		
Voltage Rating	120 V		

We reserve the right to change specifications or discontinue models without notice.

Electrolux Major Appliances, N.A.

USA • 10200 David Taylor Drive • Charlotte, NC 28262 • Charlotte, NC 28262 • 1-877-4electrolux (1-877-435-3287) • electrolux.com/en

CANADA • 5855 Terry Fox Way • Mississauga, ON L5V 3E4 • 1-800-265-8352 • electrolux.ca

Front Load Perfect Steam™ Washer with LuxCare® Wash -

5505

4.5 Cu. Ft.

Available Products: ELFW7437AD, ELFW7437AG,

Available Colors: Denim Blue, Glacier Blue, Titanium, White

ELFW7437AT, ELFW7437AW

Version: 01/26

Installation

Optional Pedestal	Yes
Power Cord Included	Yes
Stackable	Yes

Performance Certifications and Approvals

CEE Tier	Tier 2
ENERGY STAR Certified	Yes
High Efficiency	Yes

General Specifications

Chime On / Chime Off	Yes
Leveling Legs	Yes
Prop 65 Label	No
Warranty - Labor	1 Year
Warranty - Motor	10 Years
Warranty - Parts	1 Year
Warranty - Tub	Lifetime

Safety Certifications and Approvals

NSF Certified	Yes
UL Listed	Yes

We reserve the right to change specifications or discontinue models without notice.

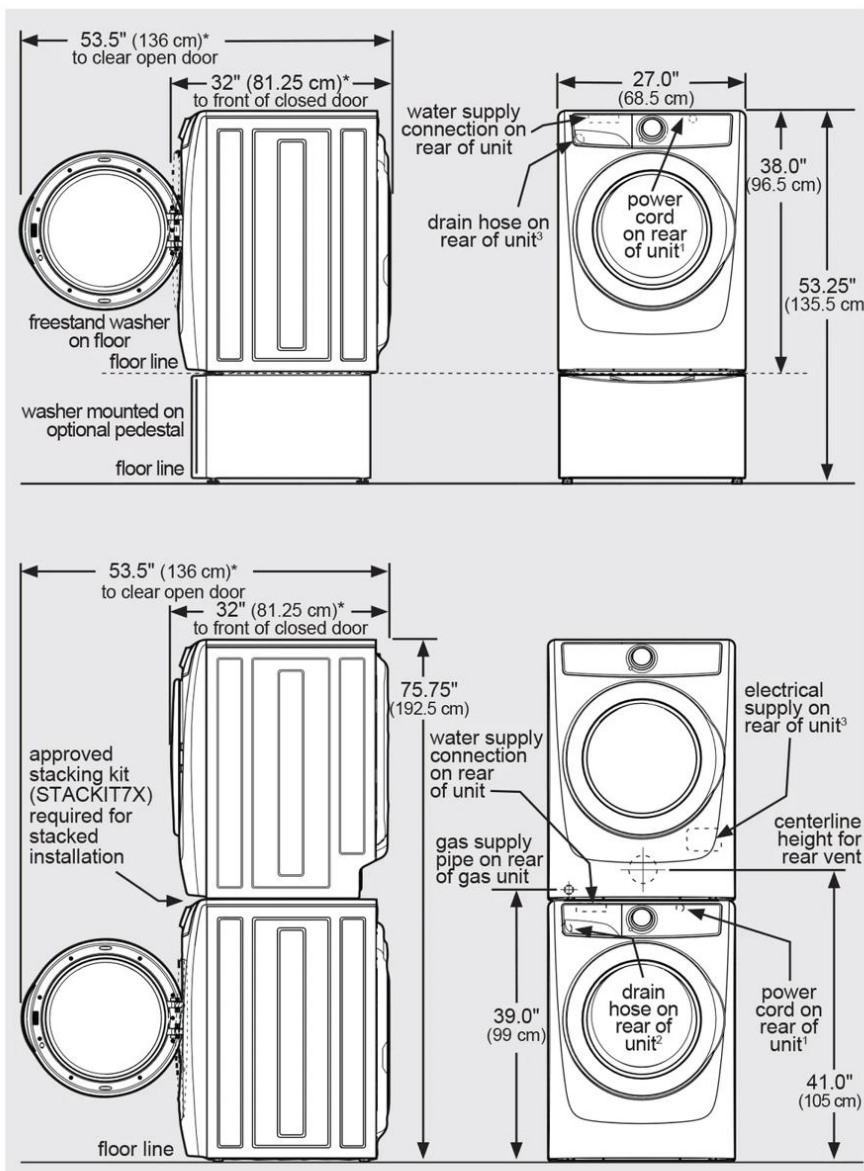
Electrolux Major Appliances, N.A.

USA • 10200 David Taylor Drive • Charlotte, NC 28262 • Charlotte, NC 28262 • 1-877-4electrolux (1-877-435-3287) • electrolux.com/en

CANADA • 5855 Terry Fox Way • Mississauga, ON L5V 3E4 • 1-800-265-8352 • electrolux.ca

Installation Diagram

Washer dimensions



*Connection of water inlet hose on steam dryer adds 3/4 in. (2 cm) to installation depth.

¹Power supply cord length on washer approximately 60 inches (152.5 cm).

²Drain hose length on washer approximately 59 inches (150 cm).

³Power supply cord length on gas dryer or electric Canadian dryer approximately 60 inches (152.5 cm).



Front Load Perfect Steam™ Electric Dryer with Instant Refresh – 8.0 Cu. Ft.

Dryer

Available Products: ELFE7437AD, ELFE7437AG, ELFE7437AT, ELFE7437AW

Available Colors: Denim Blue, Glacier Blue, Titanium, White

Version: 01/26

Product Specifications

Dryer

Air Flow	200 CFM
Drum Back Type	Painted Steel
Drum Material	Painted Steel
Dryness Level Selections	Yes
Lint Filter	Yes
Moisture Sensor	Yes

Dryer Options

Delay Start Time	1-12 Hours
Dry Boost	Yes
Extended Tumble	Yes
Perfect Steam	Yes
Wrinkle Release	Yes

Dryness Level

Max	Yes
High	Yes
Normal	Yes
Low	Yes
Damp	No

Exterior

Door Latch	Yes
Reversible Door	Yes

Electrical Specifications

Minimum Circuit Required	30 Amps
Voltage Rating	208/240v

Installation

Optional Pedestal	Yes
Power Cord Included	No
Ventilation Type	Vented

Performance Certifications and Approvals

ENERGY STAR Certified	Yes
-----------------------	-----

Dryer Cycles

Cycle Count	7
Bulky	Yes
Delicates	Yes
Fast Dry	Yes
Heavy Duty	Yes
Instant Refresh	Yes
Normal	Yes
Timed Dry Time	Yes

Drying Temperatures

Low	Yes
Normal	Yes
High	Yes
Sanitize	Yes
Eco Dry	Yes

Controls

Cancel	Yes
Control Lock	Yes
Cycle Status Lights	Yes
Delay Start	Yes
Estimated Time Remaining	Yes
Pause Function	Yes
Power On/Off	Yes
Start	Yes

Dimensions and Volume

Height	38"
Width	27"
Depth	32"
Depth With Door 90° Open	53 1/2"
Dryer Drum Capacity	8 Cu. Ft.

Energy Data

Combined Energy Factor (CEF)	3.48
kWh/cycle	2.5 kWh
kWh/year	620 kWh

Front Load Perfect Steam™ Electric Dryer with Instant

5476

Refresh – 8.0 Cu. Ft.

Available Products: ELFE7437AD, ELFE7437AG,
ELFE7437AT, ELFE7437AW

Available Colors: Denim Blue, Glacier Blue, Titanium, White

Version: 01/26

General Specifications

Chime On / Chime Off	Yes
Leveling Legs	Yes
Prop 65 Label	No
Warranty - Labor	1 Year
Warranty - Parts	1 Year

Safety Certifications and Approvals

UL Listed	Yes
-----------	-----

We reserve the right to change specifications or discontinue models without notice.

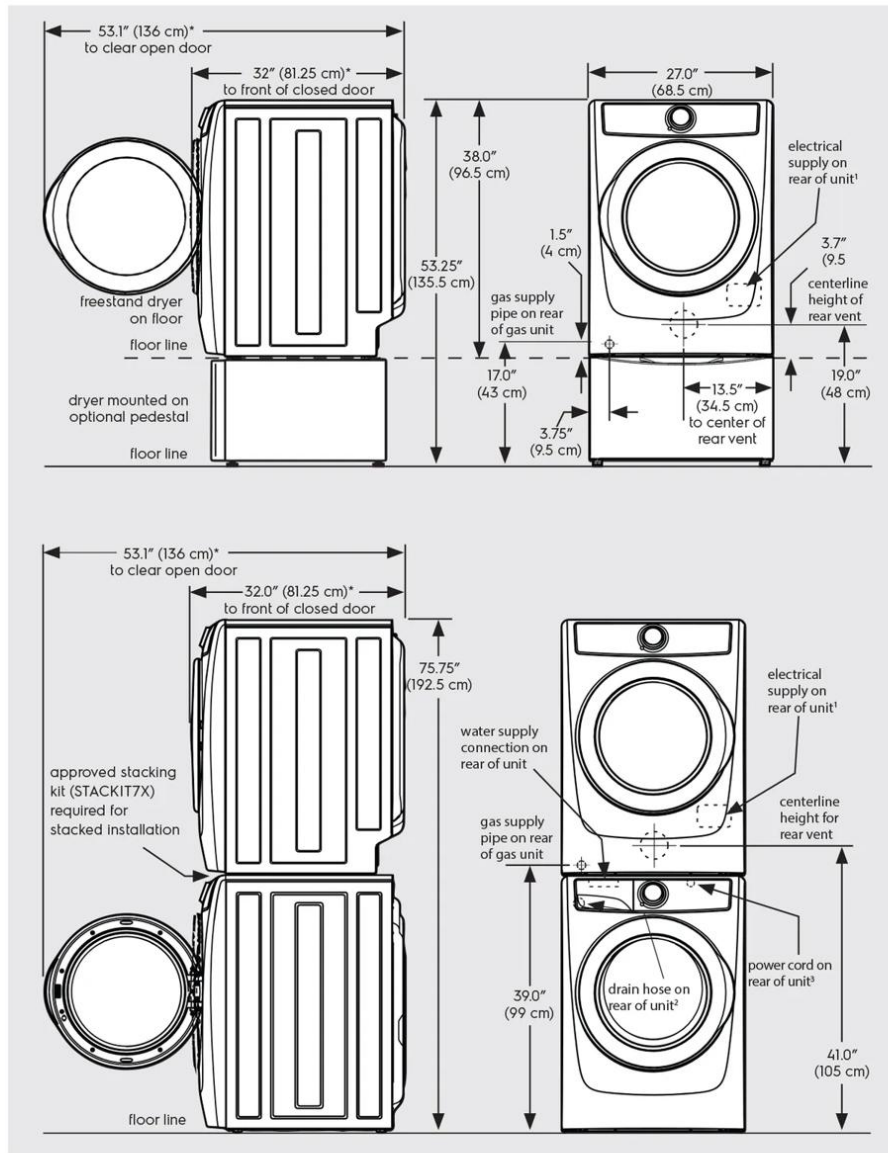
Electrolux Major Appliances, N.A.

USA • 10200 David Taylor Drive • Charlotte, NC 28262 • Charlotte, NC 28262 • 1-877-4electrolux (1-877-435-3287) • electrolux.com/en

CANADA • 5855 Terry Fox Way • Mississauga, ON L5V 3E4 • 1-800-265-8352 • electrolux.ca

Installation Diagram

Dryer dimensions



* Connection of water inlet hose on steam dryer adds 3/4 in. (2 cm) to installation depth.

¹ Power supply cord length on gas dryer or electric Canadian dryer approximately 60 inches (152.5 cm).

² Drain hose length on washer approximately 59 inches (150 cm).

³ Power supply cord length on washer approximately 60 inches (152.5 cm).

KUBL214KSB

KitchenAid®

24" Beverage Center with Glass Door and Wood-Front Racks

<http://www.kitchenaid.com>



Key Features:

- Fully Flush Installation with Hidden Hinges
- Two Temperature-Controlled Zones
- Temperature Monitoring System
- Motion-Activated LED Lighting
- SatinGlide® Full-Extension Wood-Front Racks
- UV-Protected Thermal Glass Door
- Glass Shelves
- 4.8 Cu. Ft. Capacity
- Door Alarm
- Backlit Touch Controls
- Sabbath Mode (Star-K Certified)
- Max Cool

Additional Information:

[Warranty Certificate](#)

Available in:

Black Cabinet/Stainless Doors

®Registered trademark/TM Trademark of Whirlpool, U.S.A. © 2016 Whirlpool Corporation. All Rights Reserved. All other trademarks are owned by their respective companies.

Because Whirlpool Corporation policy includes a continuous commitment to improve our products, we reserve the right to change materials and specifications without notice. We also reserve the right to discontinue or transition products without notice.

Manufacturer's Suggested Retail Price (MSRP) and Minimum Advertised Price (MAP) provided for reference purposes only. Dealer alone determines advertised and retail prices.

Created On: Thursday, March 04, 2021 07:25:05

Proper Disposal of your Old Beverage Center

WARNING: Risk of child entrapment. Before you throw away your old Beverage Center:

- Take off the door.
- Leave the shelves in place so that children may not easily climb inside.

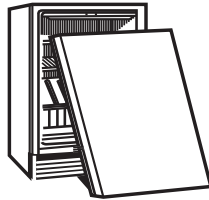
⚠ WARNING

Suffocation Hazard

Remove doors or lid from your old appliance.

Failure to do so can result in death or brain damage.

IMPORTANT: Child entrapment and suffocation are not problems of the past. Junked or abandoned beverage centers are still dangerous – even if they will sit for “just a few days.” If you are getting rid of your old beverage centers, please follow these instructions to help prevent accidents.



Important information to know about disposal of refrigerants:

Dispose of refrigerator in accordance with Federal and Local regulations. Refrigerants must be evacuated by a licensed, EPA certified refrigerant technician in accordance with established procedures.

INSTALLATION REQUIREMENTS

Tools and Parts

Gather the required tools and parts before starting installation.

Tools and parts needed:

- Phillips screwdriver.
- Custom Overlay Door Panel - Refer “Custom Overlay Panel Preparation”.
- Custom handle and mounting hardware (optional).

Parts supplied:

- M4 x 30 flathead screws (8).

Location Requirements

⚠ WARNING



Explosion Hazard

Keep flammable materials and vapors, such as gasoline, away from beverage center.

Failure to do so can result in death, explosion, or fire.

IMPORTANT: This appliance is intended to be used in household and similar applications such as:

- Staff kitchen areas in shops, office and other working environments;
- Farm houses and by clients in hotels, motels and other residential type environments;
- Bed and breakfast type environments;
- Catering and similar non-retail applications.

NOTES:

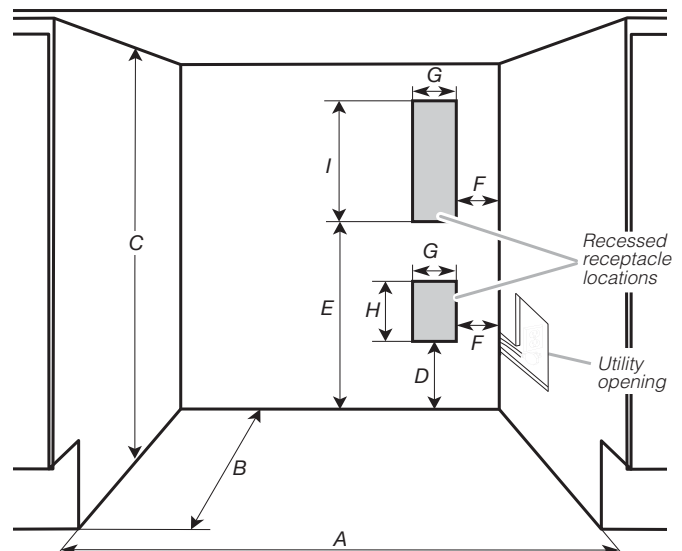
- For the beverage center to be flush with the front of the base cabinets, remove any baseboards or moldings from the rear of the opening. See “Product Dimensions” and later in this section, “Opening Dimensions”.
- It is recommended that you do not install the beverage center near an oven, radiator, or other heat source.
- Do not install in a location where the temperature will fall below 55 °F (13 °C). For best performance, do not install the beverage center behind a cabinet door or block the base grille.

Opening dimensions:

- Height dimensions are shown with the leveling legs extended to the minimum height.

NOTE: When leveling legs are fully extended, add 5/8” (15 mm) to the height dimensions. See “Product Dimensions.”

- If the floor of the opening is not level with the kitchen floor, shim the opening to make it level with the kitchen floor.



Opening and utility location dimensions	
Opening width - A	24" (60.96 cm) min.
Opening depth - B	24" (60.96 cm) min.
Opening height - C	34 ¹ / ₂ " (87.6 cm) min. 35" (88.9 cm) max.
Dimension - D	12 ¹ / ₁₆ " (30.64 cm)
Dimension - E	21 ³ / ₄ " (55.16 cm)
Dimension - F	1 ³ / ₄ " (4.44 cm)
Dimension - G	3" (7.55 cm)
Dimension - H	4 ¹ / ₂ " (11.37 cm)
Dimension - I	9 ¹ / ₄ " (23.47 cm)

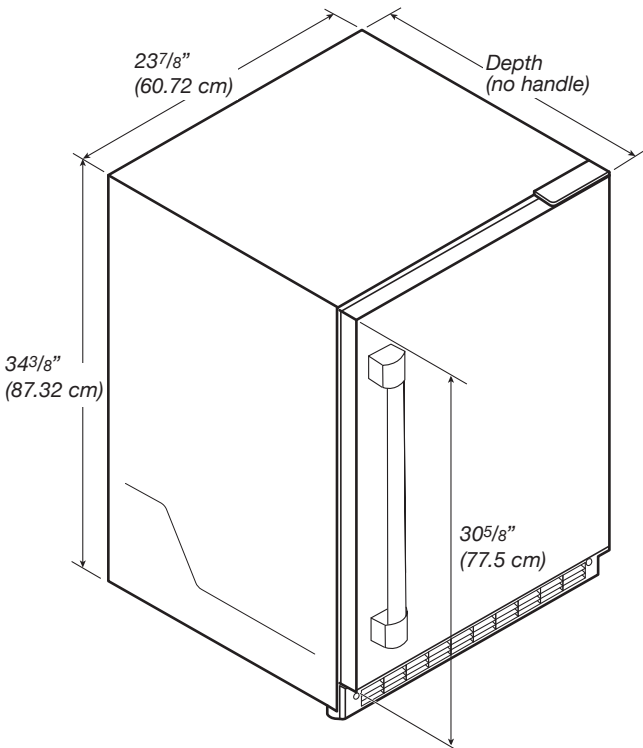
For flush installation, the power outlet can be installed in adjacent cabinetry with a cutout on the power cord side for routing of the power cord.

The power outlet can also be recessed on the back wall behind the unit as per recommended receptacle locations in the above illustration.

Product Dimensions

Overall product	
Width (up to hinge cover)	23 ⁷ / ₈ " (60.72 cm)
Height (up to hinge cover)	34 ³ / ₈ " (87.32 cm)
Panel ready models depth (with 3/4" panel and no handle)	23 ¹³ / ₁₆ " (60.5 cm)
Raw Door Height	30 ⁵ / ₈ " (77.75 cm)
Depth (no handle)	23 ⁵ / ₈ " (60.01 cm)

NOTE: The power cord is 60" (152.4 cm) long.



Custom Overlay Panel

NOTE: For standard stainless steel or glass door models, skip these instructions and go to "Electrical Requirements" section.

If you plan to install a custom overlay panel, you will need to create the panel yourself or consult a qualified cabinet maker or carpenter. Refer dimension drawings for panel specifications.

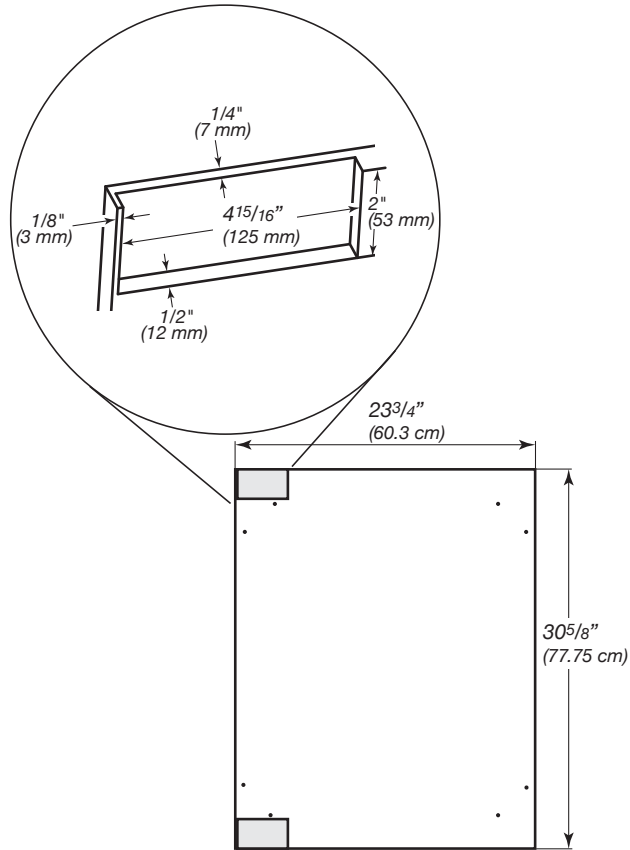
IMPORTANT:

- The thickness of the overlay panel must be 3/4" (19 mm).
- Custom solid door overlay panel must not weigh more than 20 lb (9.07 kg).
- Custom glass door overlay panel must not weigh more than 10 lb (4.54 kg).
- Overlay panels weighing more than recommended may cause damage to your appliance.

Solid door overlay panel - Preparation:

Create the custom overlay panel using the dimensions shown in the illustration "Solid door overlay panel and hinge routing dimensions". Route shaded areas to a 1/2" (12 mm) depth as shown.

IMPORTANT: The following graphic shows a custom panel for a door with the hinges installed on the right-hand side. If your beverage center has the hinges installed on the left-hand side, rotate the custom frame 180° so the hinge markings will be on the left.



Solid door overlay panel and hinge routing dimensions