

**Application for Service  
Site Evaluation - Improvement Permit, Construction Authorization**

**Applicant/Owner Information**

**Owner** RRT DEVELOPMENT LLC

**Phone** (919)880-0058

DENNISPEACOCK@CA  
ROLINACOMFORTAIR.  
COM

**Address** 259 TEE DR  
SELMA,NC 27576

**Property Information**

**Parcel ID** 10N07007L

**Subdivision** HONAKER FARMS 14

**Zoning** (COUNTY) AGRI. & RES. **Acreage** 0.7

**Location**

**Project Information**

**LandUse #** 214340 **Land Use Date** 12/23/2024

**Facility Type** NEW SEPTIC SYSTEM **Bedrooms** 4 **DDSF** 480  
LHD

**Requested Septic Type** TRENCH **Water Type** JOCO PUBLIC UTILITIES **Drawing Type** SITE PLAN SUBMITTED

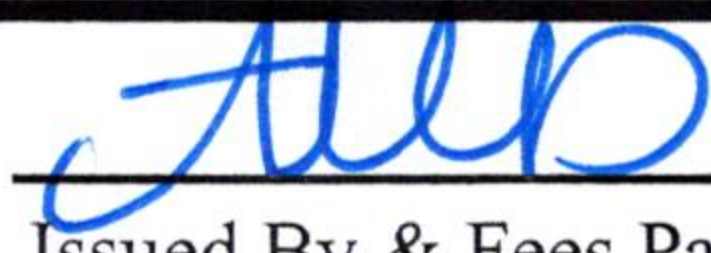
**Environmentalist** **Phone**

**Type of Service Requested**

\*Fees are to be enclosed with completed application prior to obtaining a permit or service requested. Forward checks only if mail service is used.

Type of Service	Amount	Paid How	Date
LHD NEW SEPTIC	\$475.00	CHECK NUM 4335	2/21/2024
EFFLUENT PUMP FEE	\$50.00	VISA	1/3/2025
<b>Total Paid:</b>	<b>\$525.00</b>		

DENNIS PEACOCK 1/3/2025  
DENNIS PEACOCK Owner/Agent/Legal Representative

 1/3/2025  
Issued By & Fees Paid To

**Owner Statement:**

I certify that have read and examined this application and know the same to be true and correct. All provisions of laws and ordinances covering this type work will be complied with whether specified herein or not. The granting of a permit does not presume to give authority to violate or cancel the provisions of any other state or local law regulating construction. The owner /applicant will notify the Health Dept if this property contains designated wetlands of if the nature of the waterwater changes.

By affixing my signature to this application, I grant permission to perform the above requested services and certify that I fully acknowledge and understand that this application is merely an application for service and does not authorize installation or construction activity to begin until the completed application has been evaluated and approved by issuance of an appropriate permit signed by a duly authorized county official. Any site preparation or excavation or other installation of construction activity thta I might do prior to the approval and issuance of a valid and appropriate permit (or any other time without a lowfully issued permit) shall be at my own risk and any excavation, building, structure or other improvements not in compliance with all applicable county policies, or laws may be cause to be removed, revised or otherwise brought in to conformity at my own expense or cause the permit to be revoked.



# JOHNSTON COUNTY ENVIRONMENTAL HEALTH DEPARTMENT

309 East Market Street, Smithfield, NC 27577  
Phone: 919-989-5180 Fax: 919-989-5190  
[www.johnstonnc.com/envhealth](http://www.johnstonnc.com/envhealth)

## IMPROVEMENT PERMIT

Application #: 204637 Parcel #: 10ND070D7L

Name: RRT Development LLC

Address: 259 TEE DR City, State, Zip : Selma, NC 27576

Subdivision (if applicable): Hatcher MONROE FARMS Lot #: 14 Property Size: .70 Acre(s)

New  Expansion  Repair  System Relocation  Change of Use

Facility Type: Residential-SFD Number of Bedrooms: 4 Maximum # of Occupants: 8

Design Wastewater Strength:  Domestic  High Strength  Industrial Process Wastewater

Proposed Design Daily Flow: 480 GPD Proposed LTAR (Initial) 0.35 Proposed LTAR-Repair Area: 0.35

Proposed Wastewater System (Initial): Accepted Classification Type: III b Pump Required:  Yes  No

Proposed Wastewater System (Repair): Accepted Classification Type: III b Pump Required:  Yes  No

Effluent Standard:  DSE  HSE  NSF/ANSI 40  TS-I  TS-II  RCW

Saprolite System (Initial):  Yes  No Saprolite System (Repair):  Yes  No

Fill System (Initial):  Yes  No If yes, specify:  New  Existing (when adding more than 6 inches of fill to system area provide a fill plan)

Fill System (Repair):  Yes  No If yes, specify:  New  Existing (when adding more than 6 inches of fill to system area provide a fill plan)

Depth to LC (Initial)\*: 41 inches Depth to LC (Repair)\*: 41 inches \* **Limiting Condition**

Max. Trench Depth (Initial)\*: 22 inches Max. Trench Depth (Repair)\*: 22 inches \* **Measured on the downhill side of the trench**

Artificial Drainage Required:  Yes  No If yes, please specify details: \_\_\_\_\_

Type of Water Supply:  Public Supply  Private Well  Community Well  Shared Well  Spring  Other: \_\_\_\_\_

Drainfield location meets requirements of Rule .0508:  Yes  No Drainfield location meets requirements of Rule .0601:  Yes  No

Permit valid for:  Five years [site plan submitted pursuant to GS 130A-334(13a)]  No expiration [plat submitted pursuant to GS 130A-334(7a)]

Permit conditions:  
\_\_\_\_\_  
\_\_\_\_\_  
\_\_\_\_\_

Authorized Agent's Printed Name: Christopher Ennis ABMS Issuance Date: 7-25-24  
Authorized Agent's Signature: [Signature] Expiration Date: 7-25-29

The issuance of this Improvement Permit (IP) in no way guarantees the issuance of other permits, approvals, or requirements by other local units of government, state or federal agencies (ie: building and/or zoning permits, mandatory sewer connections, etc.) Use of the site may be subject to all applicable development regulations/ordnances/rules/laws. This IP is subject to revocation and/or suspension if the site plan, plat, the intended use changes, or any unauthorized site disturbance, filling, soil removal or layout changes. The IP shall not be affected by a change of ownership of the site. This IP is subject to compliance with the provisions of 15A NCAC 18E and to the any conditions of this permit. The IP is valid for 5 years from the date of issuance unless otherwise indicated.

Signature of Owner/Legal Representative: Dennis Peacock Date: Jan 03 2025

\*See attached site sketch\*

## IMPROVEMENT PERMIT SITE SKETCH

Application #: 204637

Name: RRT Development LLC

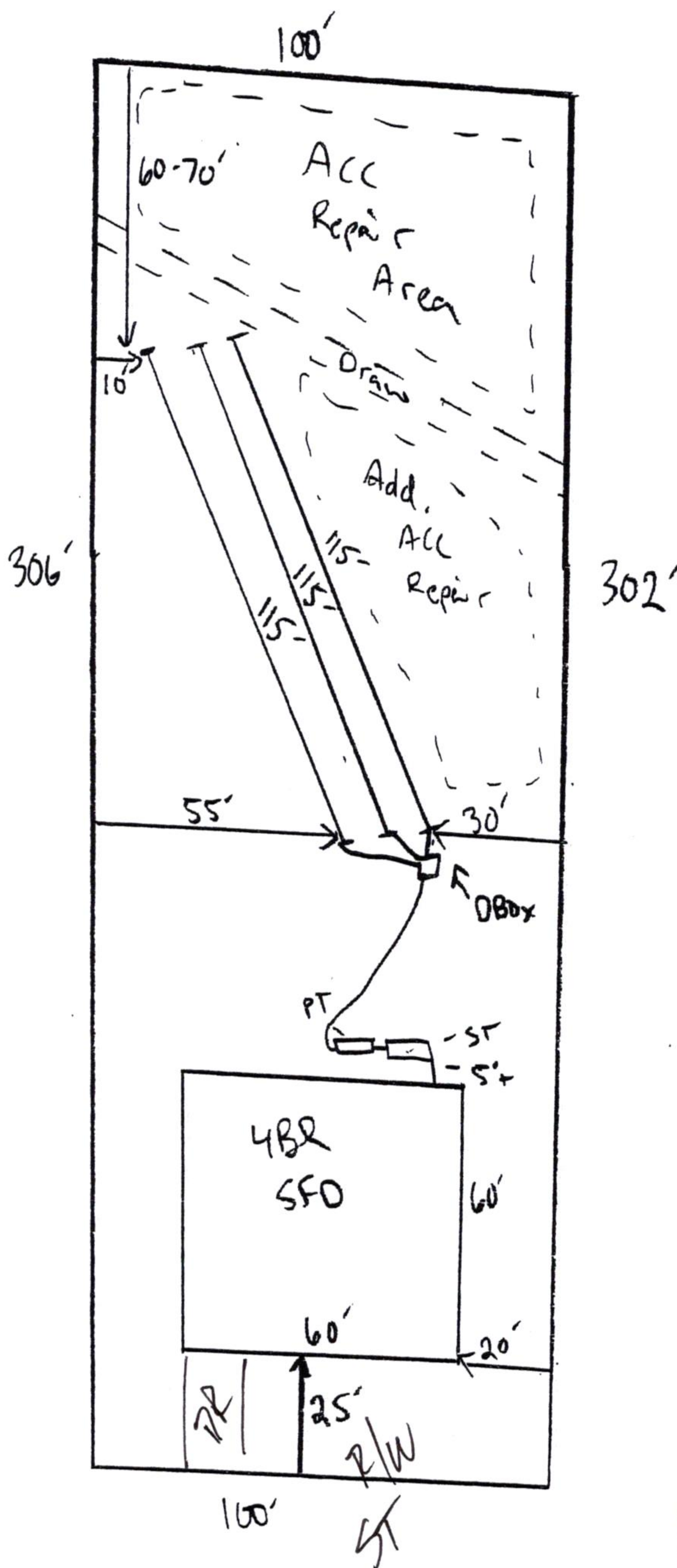
Address: 259 TEE DR City, State & Zip: Selma, NC 27576

Subdivision (if applicable): ~~Hatcher~~ HONAKER FARMS Lot #: 14 Property Size: .70 Acre(s)

Authorized Agent's Printed Name: \_\_\_\_\_ Date: \_\_\_\_\_

System components represent approximate location of septic system and repair area. The contractor must flag the system prior to beginning the installation to ensure that the proper grade is maintained.

Scale: \_\_\_\_\_





# JOHNSTON COUNTY ENVIRONMENTAL HEALTH DEPARTMENT

309 East Market Street, Smithfield, NC 27577  
Phone: 919-989-5180 Fax: 919-989-5190  
[www.johnstonnc.com/envhealth](http://www.johnstonnc.com/envhealth)

## CONSTRUCTION AUTHORIZATION

Application #: 204637 Parcel #: 10ND9007L

Name: RRT Development LLC

Address: 259 TEE DR City, State & Zip: Selma, NC 27576

Subdivision (if applicable): Hatcher HONAKER FARMS Lot #: 14 Property Size: .70 Acre(s)

New  Expansion  Repair  System Relocation  Change of Use

Facility Type: Residential-SFD Number of bedrooms: 4 Maximum # of Occupants: 8

Basement:  Yes  No Basement Fixtures:  Yes  No Crawl Space:  Yes  No Slab Foundation:  Yes  No

Type of Wastewater System\* Accepted (Initial) System Classification: III b

Accepted (Repair) System Classification: III b

Design Daily Flow: 480 GPD Wastewater Strength:  Domestic  High Strength  Industrial Process Wastewater

Rule .0403(e) Engineering Design Utilizing Low-flow Fixtures and Low-flow Technologies (S.L. 2013-413 and 2014-120)?  Yes  No

*(If yes, please provide engineering documentation)*

Effluent Standard:  DSE  HSE  NSF/ANSI 40  TS-I  TS-II  RCW

Type of Water Supply:  Public Supply  Private Well  Community Well  Shared Well  Spring  Other: \_\_\_\_\_

### Installation Requirements/Conditions:

Septic Tank Size: 1000 gallons Grease Trap Size (if applicable): \_\_\_\_\_ gallons LTAR: 0.35 gpd/ft2

# of Lines: 3 Length: 115 Trench Area: 1035 ft2

Trench Width: 36 inches Trench Spacing Minimum: 9 ft on center Additional Soil Cover: \_\_\_\_\_ inches

Slope Corrected Maximum Trench Depth: 22 inches *#Measures on the downhill side of the trench*

Pump Tank Size (if applicable): 1000 gallons Requires more than one pump?  Yes  No

Pump Requirements: 12 ft. TDH vs. 21 gpm Pressure Head: \_\_\_\_\_ Drawdown: 7.29 inches

Distribution Method:  Serial  D-Box or Parallel  Pressure Manifold(s)  LPP  Other: \_\_\_\_\_

Artificial Drainage Required:  Yes  No If yes, please specify details: \_\_\_\_\_

### Legal Agreements: *(If the answer is "Yes" to any type of legal agreements, please attach a copy of the agreement.)*

Multi-party Agreement Required [Rule .0204(g)]:  Yes  No Pre-Construction Conference Required:  Yes  No

Easement, Right-of-Way, or Encroachment Agreement Required [Rule .0204(d)]:  Yes  No

Management Entity Required:  Yes  No Minimum O&M Requirements: \_\_\_\_\_

Permit Conditions:  
\_\_\_\_\_  
\_\_\_\_\_

Authorized Agent's Printed Name: G. Eric Banks Issuance Date: 1/2/25

Authorized Agent's Signature: [Signature] Expiration Date: 1/2/30

The issuance of this Construction Authorization (CA) in no way guarantees the issuance of other permits, approvals, or requirements by other local units of government, state, federal (ie: building and or zoning permits, mandatory sewer connections, etc.) Use of the site may be subject to all applicable development regulations/ordinances/rule/law. The requirements of 15A NCAC 18E are incorporated by reference into this CA and shall be met. This CA is subject to compliance with the provisions of 15A NCAC 18E, or 15A NCAC 18A .1900, as applicable and to the conditons of this permit. This CA is subject to revocation and/or suspension, if the site plan, plat, intendes use changes, or any unauthorized site disturbance, filling, soil removal, or layout changes. The CA is not affected by a change in ownership of the site and is valid for 5 years from the date of Improvement Permit issuance, unless otherwise indicated. Systems shall be installed in accordance with the attached site sketch.

Signature of Owner/Legal Representative: Dennis Peacock Date: Jan 03 2025

# CONSTRUCTION AUTHORIZATION SITE SKETCH

Application #: 204637

Pre-Construction Conference Required:  Yes  No

Name: RRT Development LLC

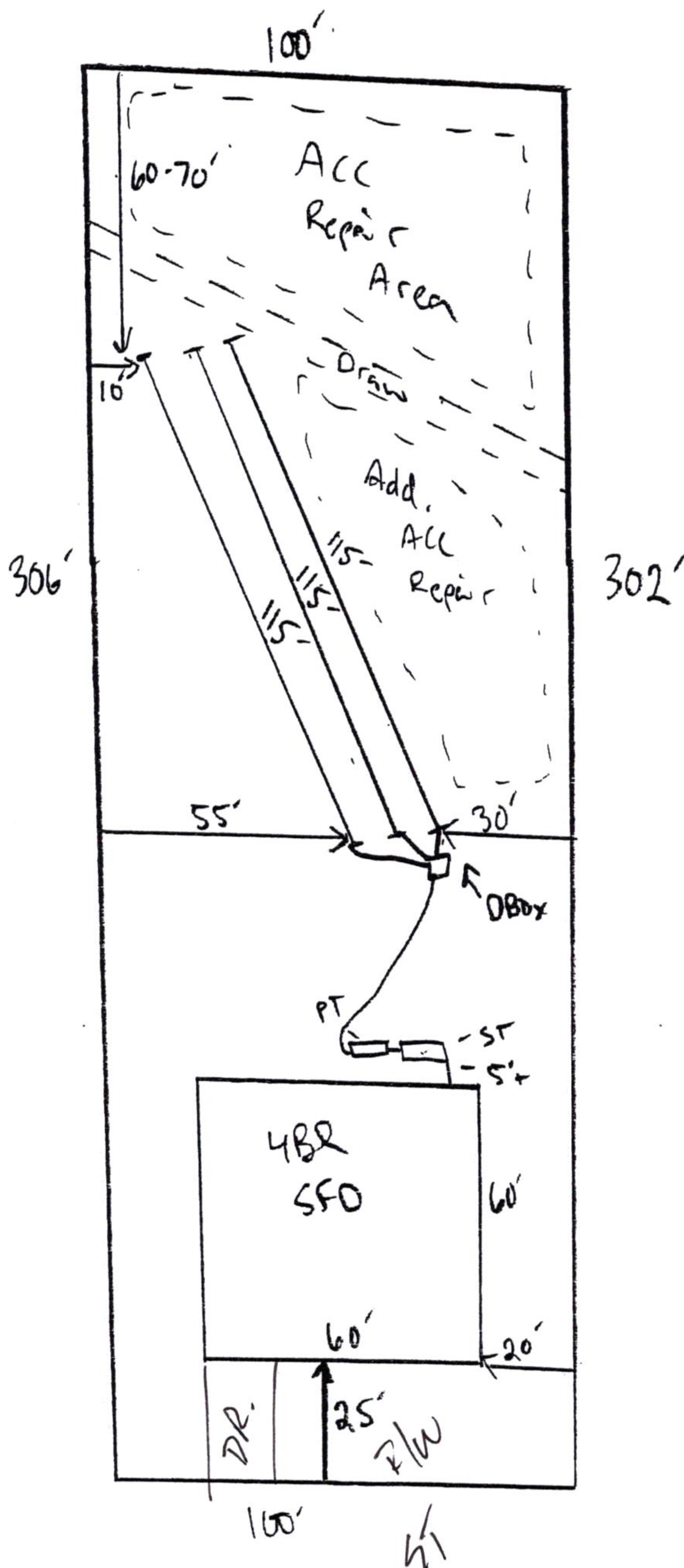
Address: 259 TEE DR City, State, Zip: Selma, NC 27576

Subdivision (if applicable): ~~Hatcher~~ HANDLER FARMS Lot #: 14 Property Size: .70 Acre(s)

Authorized Agent's Printed Name: \_\_\_\_\_ Date: \_\_\_\_\_

System components represent approximate location of septic system and repair area. The contractor must flag the system prior to beginning the installation to ensure that the proper grade is maintained.


Scale: \_\_\_\_\_ Slope Corrected Maximum Trench Depth: 22 inches ‡Measures on the downhill side of the trench



## Document Details

<b>Title</b>	204637.pdf
<b>File Name</b>	204637.pdf
<b>Document ID</b>	3301fe3d833a43128fbbfd791b09dea2
<b>Fingerprint</b>	b052ddb8ef2446296eee25d81865d589
<b>Status</b>	<span style="background-color: #28a745; color: white; padding: 2px 5px;">Completed</span>

## Document History

<b>Document Created</b>	Document Created by Alisa Daughtry (alisa.daughtry@johnstonnc.com) Fingerprint: 81d23159b5cc10c62ef399175769a50a	Jan 03 2025 11:46AM America/New_York
<b>Document Sent</b>	Document Sent to DENNIS PEACOCK (DENNISPEACOCK@CAROLINACOMFORTAIR.COM)	Jan 03 2025 11:46AM America/New_York
<b>Document Viewed</b>	Document Viewed by DENNIS PEACOCK (DENNISPEACOCK@CAROLINACOMFORTAIR.COM) IP: 104.47.58.126	Jan 03 2025 12:41PM America/New_York
<b>Document Viewed</b>	Document Viewed by DENNIS PEACOCK (DENNISPEACOCK@CAROLINACOMFORTAIR.COM) IP: 96.10.23.202	Jan 03 2025 12:41PM America/New_York
<b>Document Signed</b>	Document Signed by DENNIS PEACOCK (DENNISPEACOCK@CAROLINACOMFORTAIR.COM) IP: 96.10.23.202 	Jan 03 2025 12:42PM America/New_York
<b>Document Completed</b>	This document has been completed. Fingerprint: b052ddb8ef2446296eee25d81865d589	Jan 03 2025 12:42PM America/New_York