

JSJ BUILDERS

PRESTWICK PLAN

KITCHEN

- 4-S3/4X8 SCRIBE
- 2-SM3/4 SHOE
- 1-BTS TOEKICK
- 2-BUS
- 1-TUKICK

- 2-F336
- 2-F330

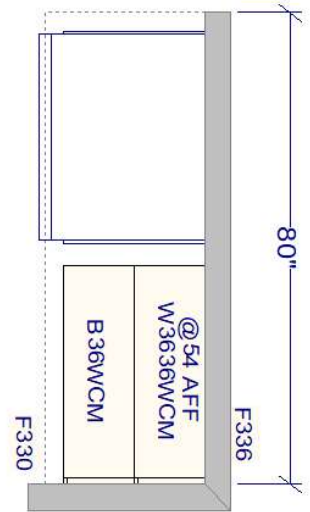
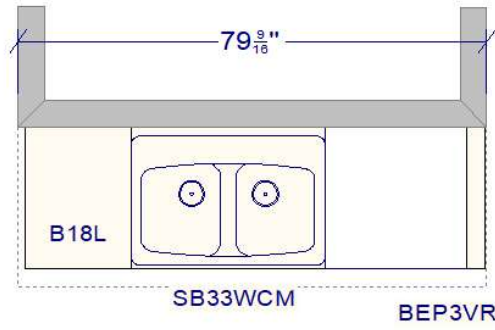
ISLAND

- 1-S3/4X8 SCRIBE
- 1-SM3/4 SHOE
- 1-BTS TOEKICK
- 1-BUS

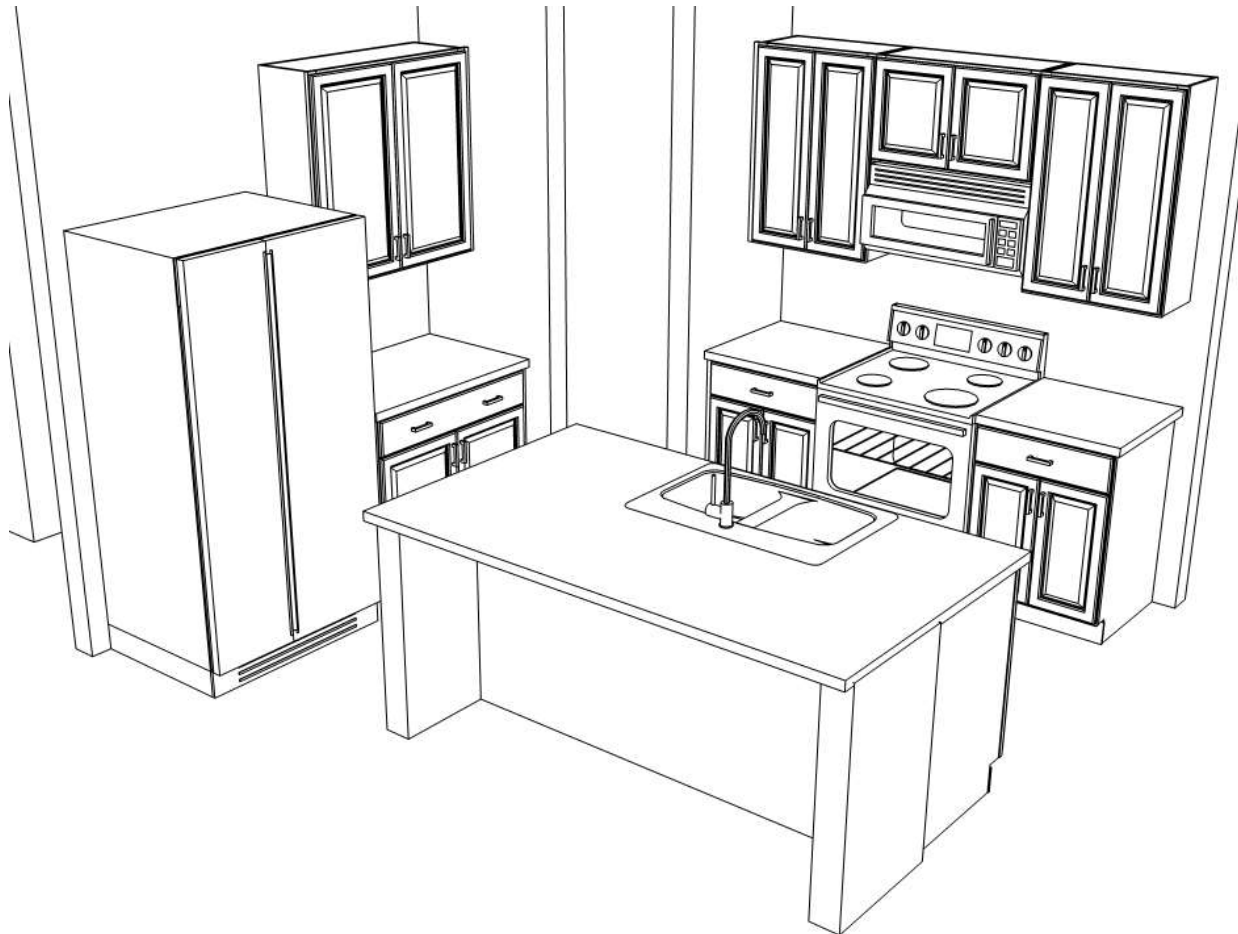
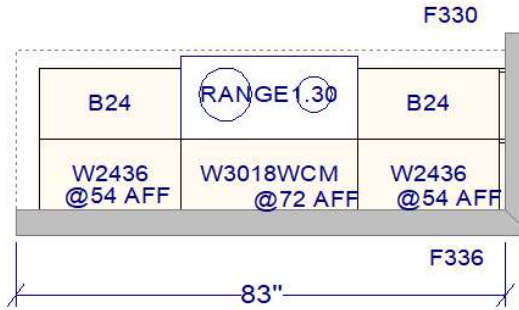
- 1-BEP3VR

HARDWARE:

- 3910-SN
- 32-KNOBS(+2 EXTRA)



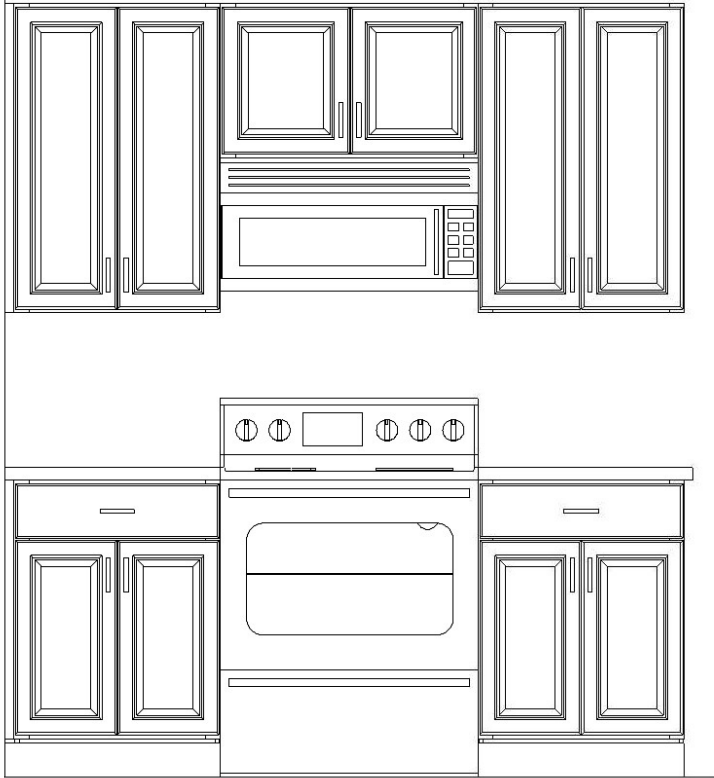
RAISE CABINETS IN KITCHEN
3- 3/8 BUILD UP STRIPS



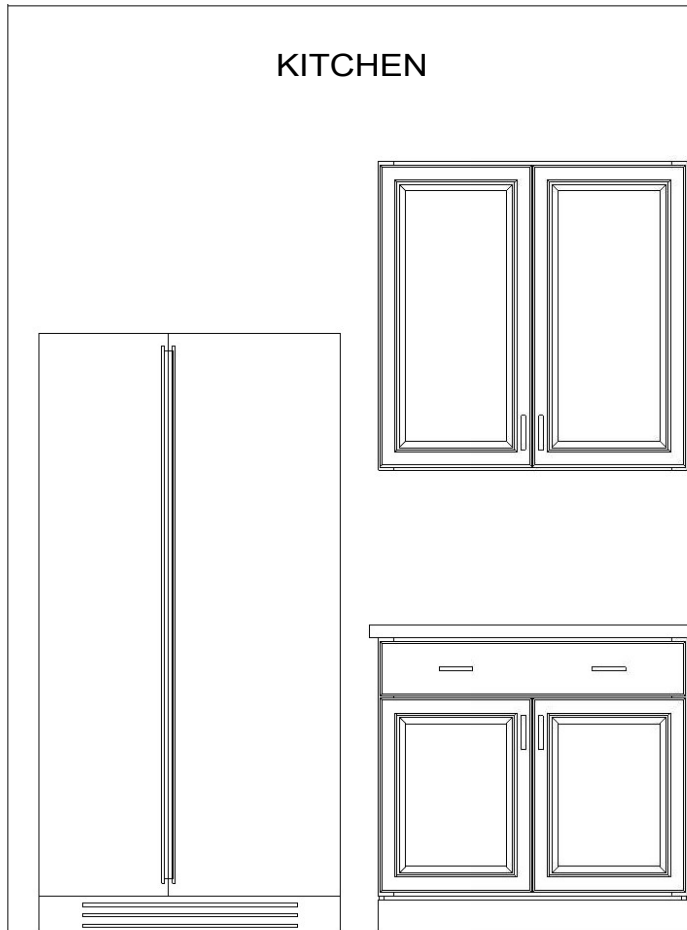
Note: This drawing is an artistic interpretation of the general appearance of the design. It is not meant to be an exact rendition.



Designed :4/22/2025
Printed: 4/25/2025



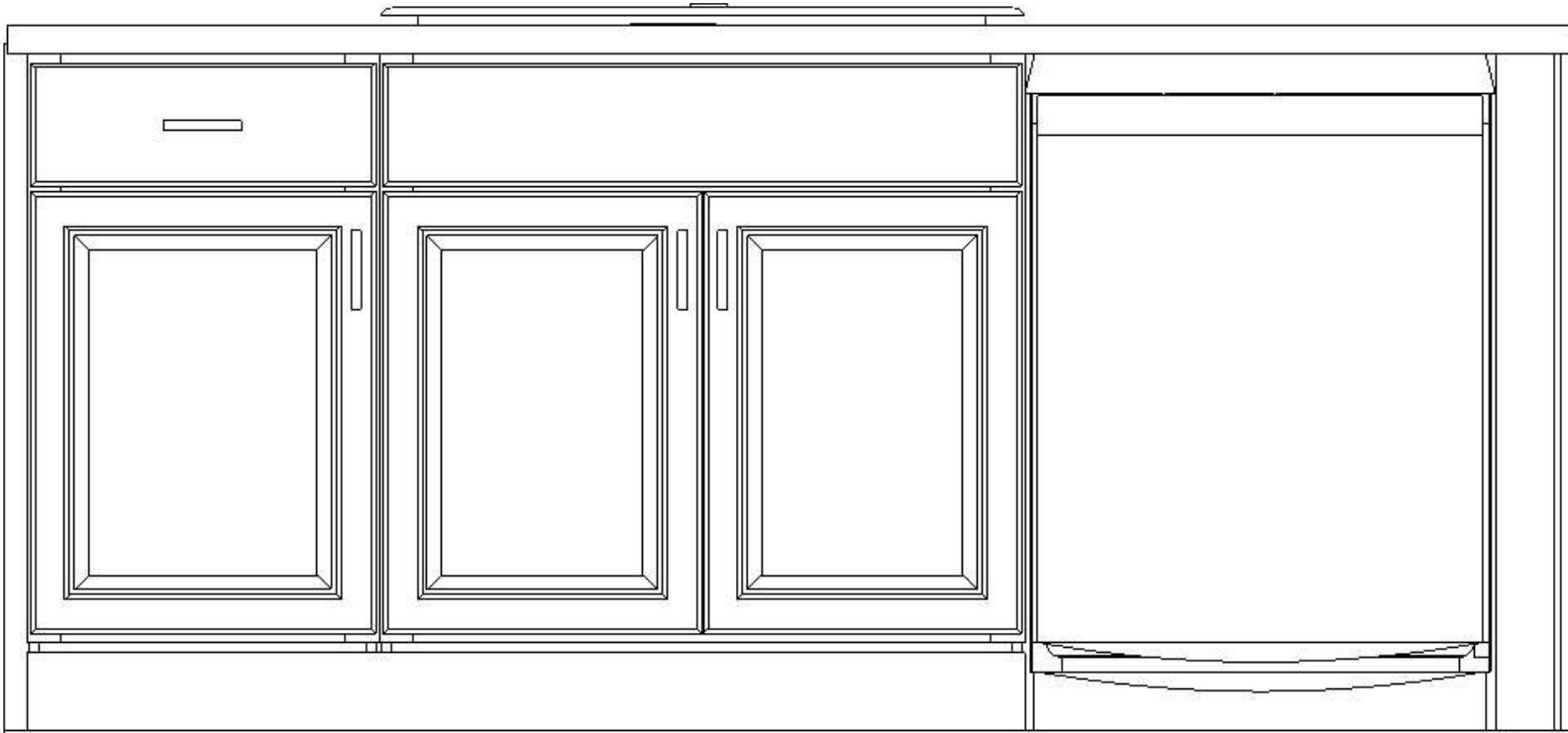
KITCHEN



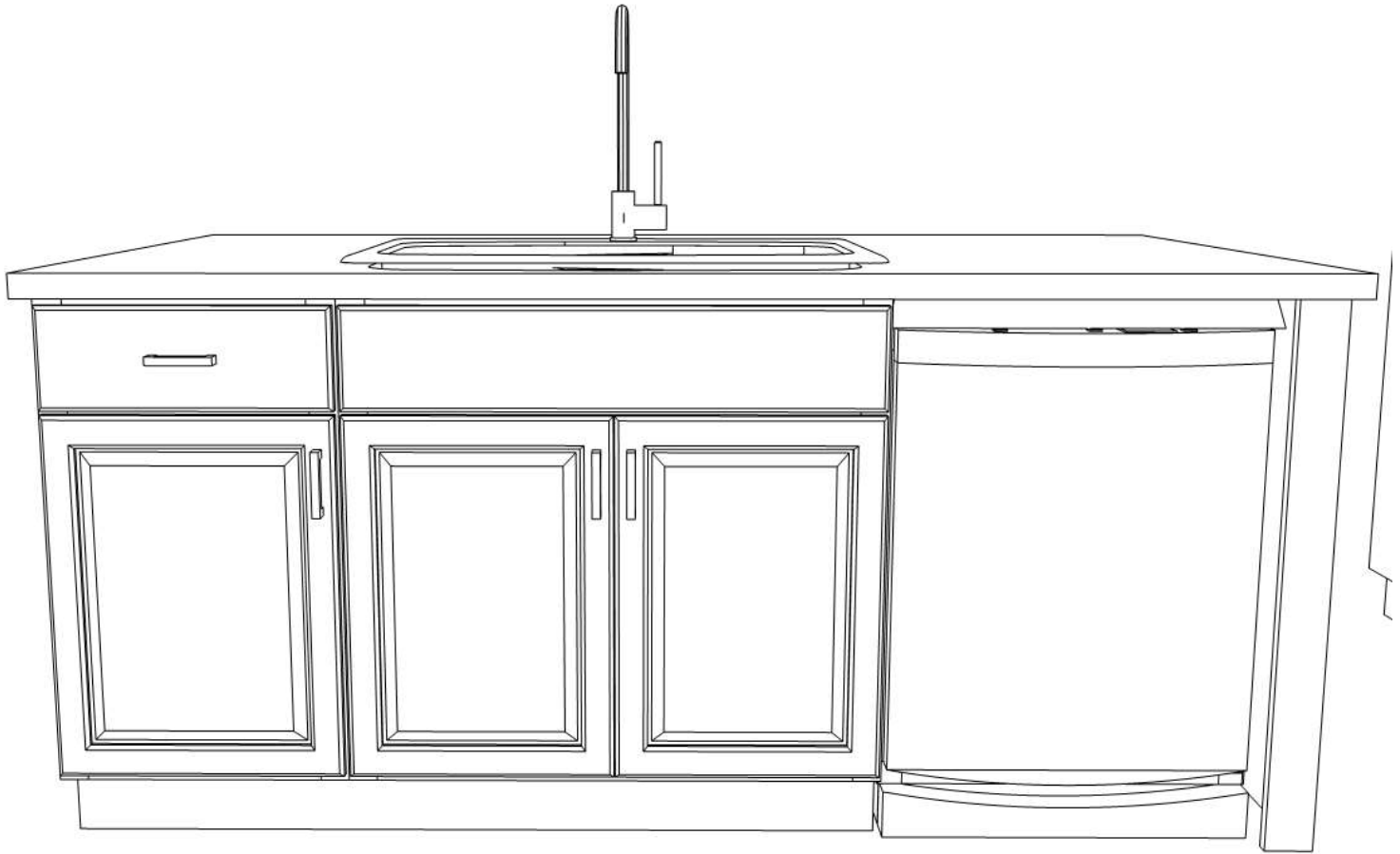
Note: This drawing is an artistic interpretation of the general appearance of the design. It is not meant to be an exact rendition.



Designed :4/22/2025
Printed: 4/25/2025



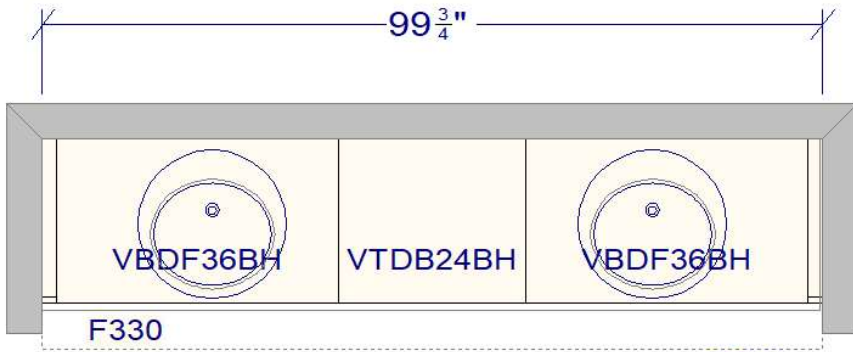
KITCHEN ISLAND



Note: This drawing is an artistic interpretation of the general appearance of the design. It is not meant to be an exact rendition.



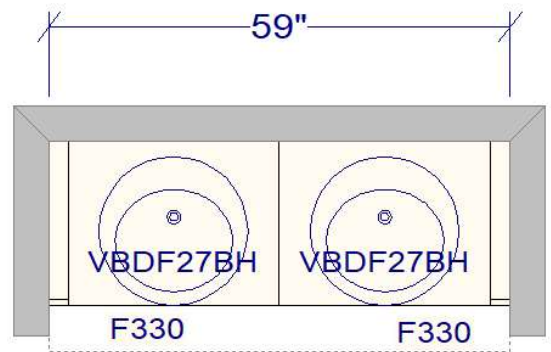
Designed :4/22/2025
Printed: 4/25/2025



2ND FLOOR MASTER BATH
 1-S3/4X8 SCRIBE
 2-SM3/4 SHOE
 2-BTS TOEKICK

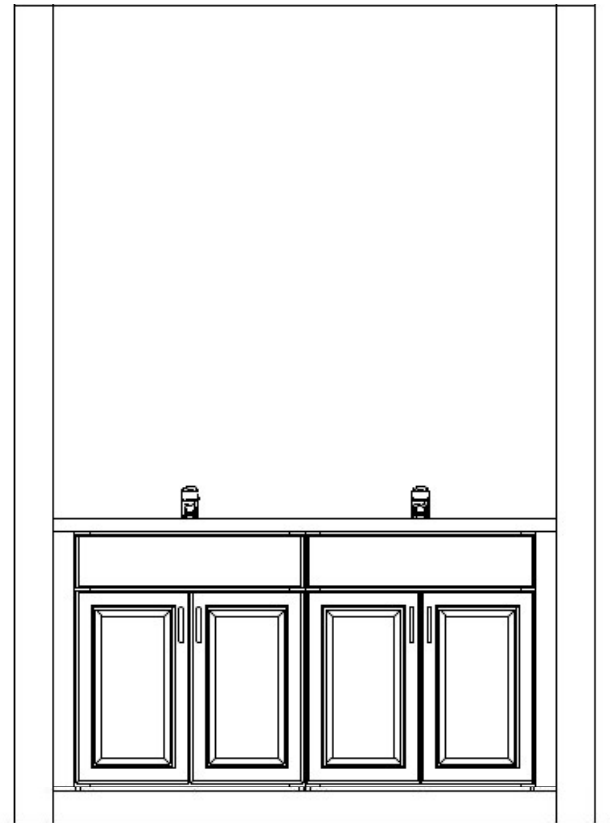
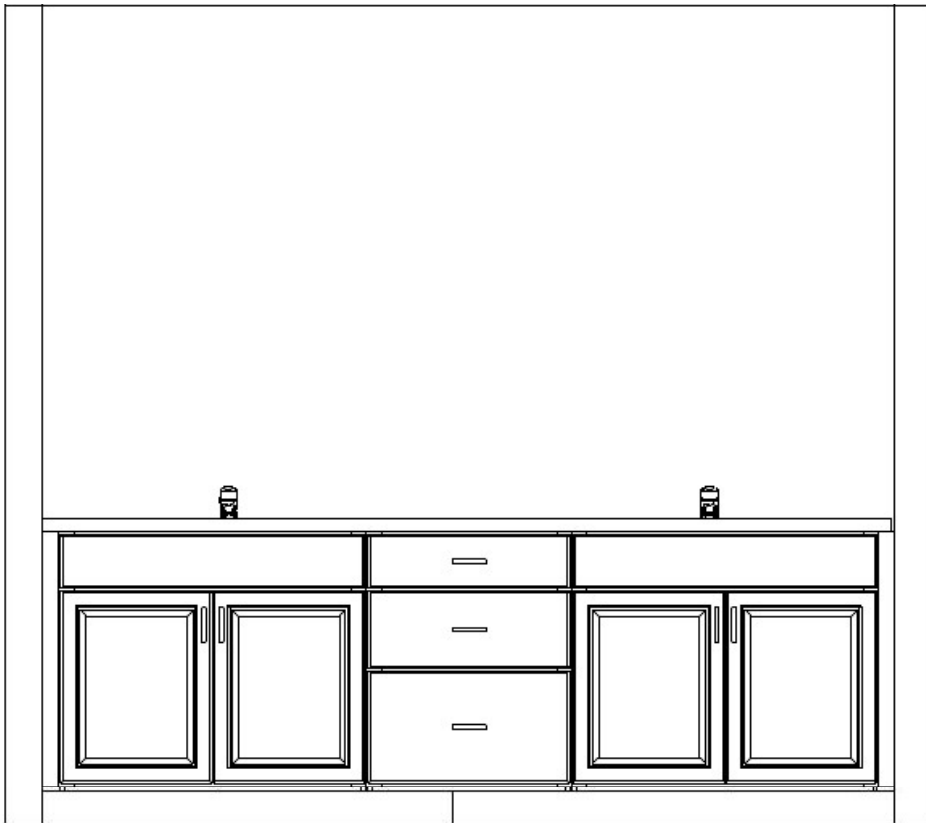
2-F330
 1-TUKIT

F330



2ND FLOOR HALL BATH
 1-S3/4X8 SCRIBE
 1-SM3/4 SHOE
 1-BTS TOEKICK

2-F330



Note: This drawing is an artistic interpretation of the general appearance of the design. It is not meant to be an exact rendition.



Designed :4/22/2025
 Printed: 4/25/2025