

MUSCAD0057 Burton A
 AS 02/08/26
 Garage Left



FRONT ELEVATION A

SQUARE FOOTAGES	
FIRST FLOOR	1650 S.F.
TOTAL LIVING AREA	1650 S.F.
PORCH	26 S.F.
GARAGE & STORAGE	423 S.F.
TOTAL UNDER ROOF	2099 S.F.
OVERALL WIDTH	40'-0"
OVERALL DEPTH	55'-0"
W/ OPT. COV. PATIO DEPTH	+8'-0"

APPROVAL DATE:

Address/ Contact Info

DRAWING ISSUE RECORD

--

PROJECT TITLE:
 FRONT ELEVATION A

THE BURTON RH FE

DESIGNER DATE:
 06/23/25

SHEET NO.

M2

SCALE: AS NOTED

MUSCAD0057 Burton A
AS 02/08/26
Garage Left

APPROVAL DATE:

Address/ Contact Info

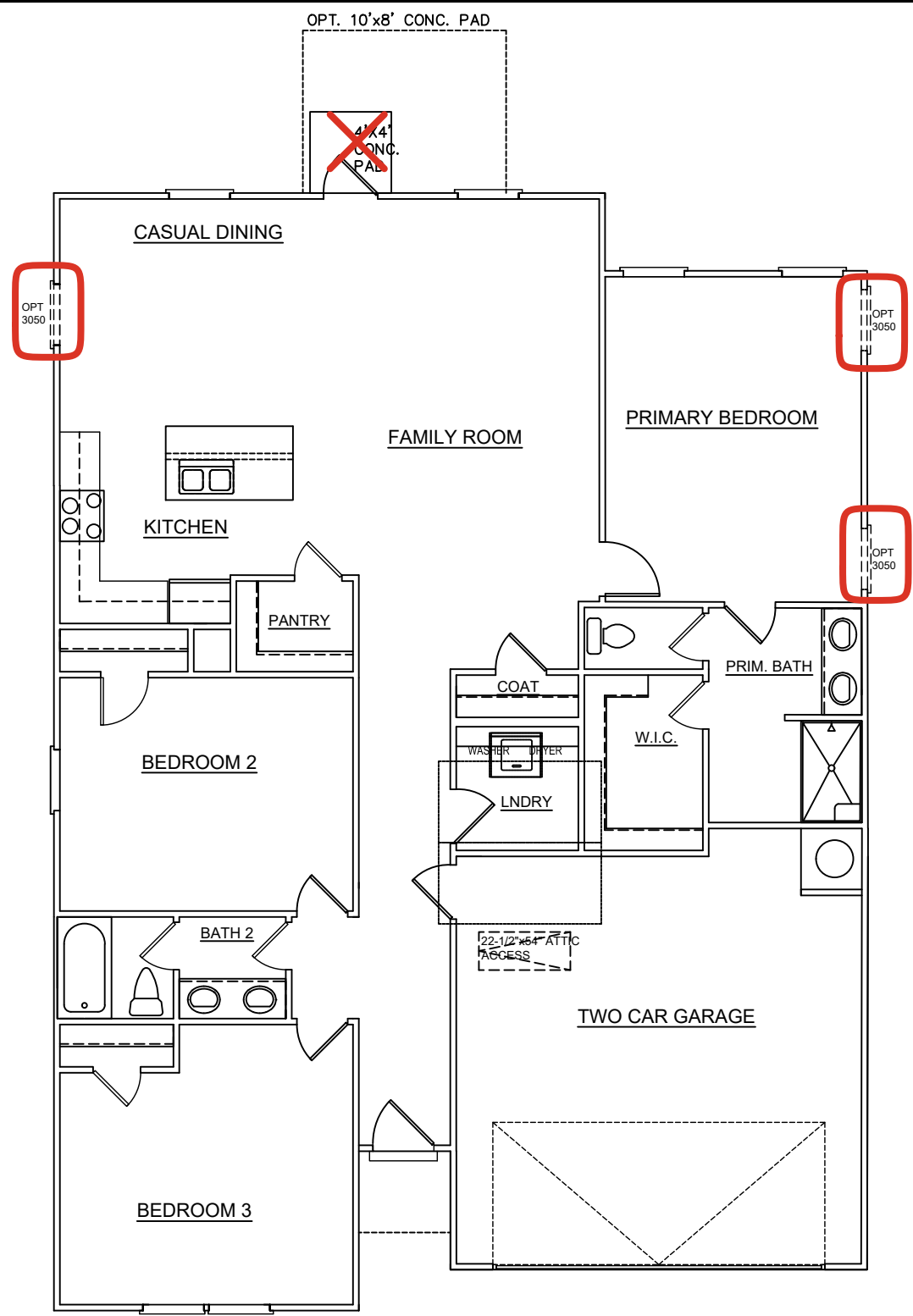
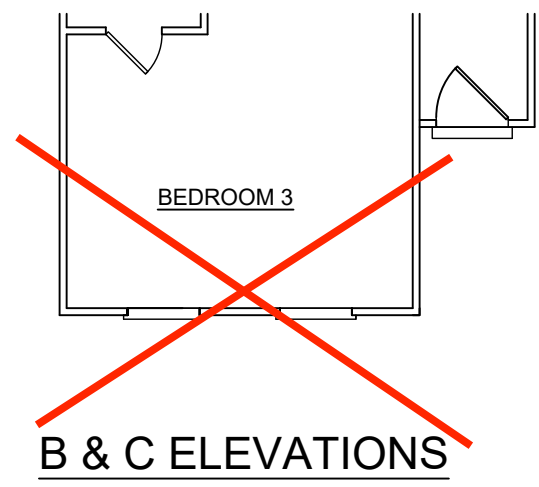
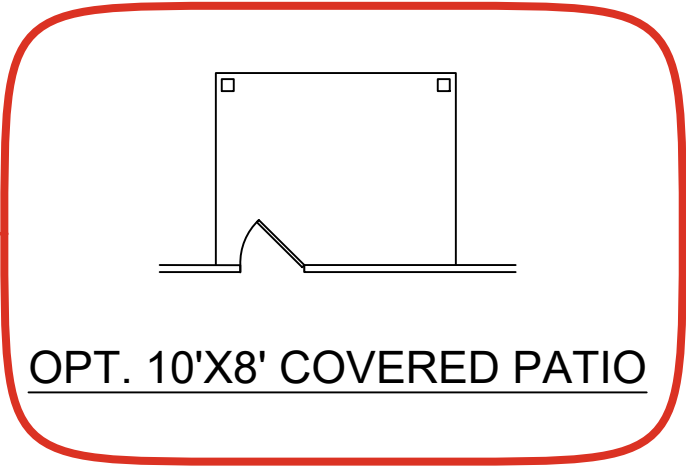
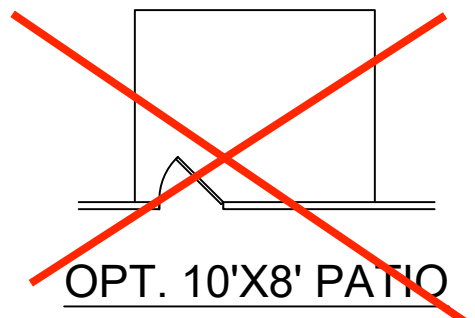
DRAWING ISSUE RECORD

PROJECT TITLE:
FIRST FLOOR PLAN
THE BURTON RH FE

DESIGNER DATE:
06/23/25
SHEET NO.

M1

SCALE: AS NOTED



FIRST FLOOR PLAN

3 BEDROOMS
2 BATHROOMS