

SUBSURFACE WASTEWATER DISPOSAL SYSTEM APPLICATION

PROPERTY LOCATION		>> CAUTION: LPI APPROVAL REQUIRED <<			
City, Town, or Plantation	SURRY	Map/Lot # 019-028	State Copy		
Street or Road	NEWBURY NECK ROAD	Town/City <u>Surry</u>	Permit # <u>1831</u>		
Subdivision, Lot #		Date Permit Issued <u>12/15/201</u>	Fee <u>\$250.00</u>		
OWNER/APPLICANT INFORMATION		The Subsurface Wastewater Disposal System shall not be installed until a Permit is issued by the Local Plumbing Inspector. The Permit shall authorize the owner or installer to install the disposal system in accordance with the application and the Maine Subsurface Wastewater Disposal Rules.			
Name (last, first, MI)	SACK, JIM			Local Plumbing Inspector Signature	Double Fee <input type="checkbox"/>
Mailing Address of	BROUGHMAN BUILDERS CACADIA WAY ELLSWORTH, ME. 04605				
Daytime Tel. #	(207) 667-7870			Municipal Tax Map # _____	Lot # _____
OWNER OR APPLICANT STATEMENT		CAUTION: INSPECTION REQUIRED			
I state and acknowledge that the information submitted is correct to the best of my knowledge and understand that any falsification is reason for the Department and/or Local Plumbing Inspector to deny a permit.		I have inspected the installation authorized above and found it to be in compliance with Subsurface Wastewater Disposal Rules Application.			
Signature of Owner or Applicant <u>[Signature]</u>		Local Plumbing Inspector Signature _____			
Date <u>11/30/15</u>		(1st Date Approved) _____ (2nd Date Approved) _____			

PERMIT INFORMATION		
TYPE OF APPLICATION <input checked="" type="checkbox"/> 1. First Time System <input type="checkbox"/> 2. Replacement System Type Replaced: _____ Year Installed: _____ <input type="checkbox"/> 3. Expanded System <input type="checkbox"/> a. Minor Expansion <input type="checkbox"/> b. Major Expansion <input type="checkbox"/> 4. Experimental System <input type="checkbox"/> 5. Seasonal Conversion	THIS APPLICATION REQUIRES <input checked="" type="checkbox"/> 1. No Rule Variance <input type="checkbox"/> 2. First Time System Variance <input type="checkbox"/> a. Local Plumbing Inspector Approval <input type="checkbox"/> b. State & Local Plumbing Inspector Approval <input type="checkbox"/> 3. Replacement System Variance <input type="checkbox"/> a. Local Plumbing Inspector Approval <input type="checkbox"/> b. State & Local Plumbing Inspector Approval <input type="checkbox"/> 4. Minimum Lot Size Variance <input type="checkbox"/> 5. Seasonal Conversion Permit	DISPOSAL SYSTEM COMPONENT(S) <input checked="" type="checkbox"/> 1. Complete Non-engineered System <input type="checkbox"/> 2. Primitive System (graywater & aft. toilet) <input type="checkbox"/> 3. Alternative Toilet, specify: _____ <input type="checkbox"/> 4. Non-engineered Treatment Tank (only) <input type="checkbox"/> 5. Holding Tank, _____ gallons <input type="checkbox"/> 6. Non-engineered Disposal Field (only) <input type="checkbox"/> 7. Separated Laundry System <input type="checkbox"/> 8. Complete Engineered System (2000 gpd or more) <input type="checkbox"/> 9. Engineered Treatment Tank (only) <input type="checkbox"/> 10. Engineered Disposal Field (only) <input type="checkbox"/> 11. Pre-treatment, specify: _____ <input type="checkbox"/> 12. Miscellaneous components
SIZE OF PROPERTY _____ sq. ft. _____ acres	DISPOSAL SYSTEM TO SERVE <input checked="" type="checkbox"/> 1. Single Family Dwelling Unit, No. of Bedrooms: _____ <input type="checkbox"/> 2. Multiple Family Dwelling, No. of Units: _____ <input type="checkbox"/> 3. Other: (SPECIFY) _____	TYPE OF WATER SUPPLY TO BE <input checked="" type="checkbox"/> 1. Drilled Well <input type="checkbox"/> 2. Dug Well <input type="checkbox"/> 3. Private <input type="checkbox"/> 4. Public <input type="checkbox"/> 5. Other: _____
SHORELAND ZONING <input type="checkbox"/> Yes <input checked="" type="checkbox"/> No	Current Use: <input type="checkbox"/> Seasonal <input type="checkbox"/> Year Round <input checked="" type="checkbox"/> Undeveloped	

DESIGN DETAILS (SYSTEM LAYOUT SHOWN ON PAGE 3)

TREATMENT TANK <input checked="" type="checkbox"/> 1. Concrete <input type="checkbox"/> a. Regular <input type="checkbox"/> b. Low Profile <input type="checkbox"/> 2. Plastic <input type="checkbox"/> 3. Other: _____ CAPACITY <u>1000</u> gallons	DISPOSAL FIELD TYPE & SIZE <input type="checkbox"/> 1. Stone Bed <input type="checkbox"/> 2. Stone Trench <input checked="" type="checkbox"/> 3. Proprietary Device <u>21 TYPE</u> <u>243 GSF UNITS</u> <input type="checkbox"/> a. Cluster Array <input type="checkbox"/> c. Linear <input checked="" type="checkbox"/> b. Regular load <input type="checkbox"/> d. H-20 load <input type="checkbox"/> 4. Other: _____ SIZE <u>1008</u> sq. ft. <input type="checkbox"/> lin. ft.	GARBAGE DISPOSAL UNIT <input checked="" type="checkbox"/> 1. No <input type="checkbox"/> 2. Yes <input type="checkbox"/> 3. Maybe If Yes or Maybe, specify one below: <input type="checkbox"/> a. Multi-compartment Tank <input type="checkbox"/> b. _____ Tanks in Series <input type="checkbox"/> c. Increase in Tank Capacity <input type="checkbox"/> d. Filter on Tank Outlet	DESIGN FLOW <u>270</u> gallons per day BASED ON <input checked="" type="checkbox"/> 1. Table 4A (dwelling unit(s)) <input type="checkbox"/> 2. Table 4C (other facilities) SHOW CALCULATIONS for other facilities <input type="checkbox"/> 3. Section 4G (meter readings) ATTACH WATER METER DATA LATITUDE AND LONGITUDE at Center of Disposal Area Lat. <u>44° 27' 08.3" N</u> Lon. <u>68° 28' 01.6" W</u> if g.p.s., state margin of error <u>30 ft</u>
SOIL DATA & DESIGN CLASS PROFILE CONDITION <u>3 / C</u> at Observation Hole # <u>1</u> Depth <u>17"</u> OF MOST LIMITING SOIL FACTOR	DISPOSAL FIELD SIZING <input type="checkbox"/> 1. Medium - 2.6 sq. ft./gpd <input checked="" type="checkbox"/> 2. Medium-Large - 3.3 sq. ft./gpd <input type="checkbox"/> 3. Large - 4.1 sq. ft./gpd <input type="checkbox"/> 4. Extra Large - 5.0 sq. ft./gpd	EFFLUENT/EJECTOR PUMP <input checked="" type="checkbox"/> 1. Not Required, SET <input type="checkbox"/> 2. May be Required HOUSE <input type="checkbox"/> 3. Required ACCORDINGLY Specify only for engineered systems DOSE: _____ gallons	

SITE EVALUATOR STATEMENT

I certify that on 11-17-15 (date) I completed a site evaluation on this property and state that the data reported are accurate and that the proposed system is in compliance with the State of Maine Subsurface Wastewater Disposal Rules (10-144A CMR 241).

<u>[Signature]</u> Site Evaluator Signature WILLIAM A. LaBELLE, JR.	319 SE# (207) 537 - 5900 Telephone Number	<u>11-21-15</u> Date labelseptic@rivah.net E-mail Address
--	--	--

SUBSURFACE WASTEWATER DISPOSAL SYSTEM APPLICATION

Maine Dept. of Health & Human Services
 Division of Environmental Health, 11 SHS
 (207) 287-5672 FAX (207) 287-4172

Town, City, Plantation
SURRY

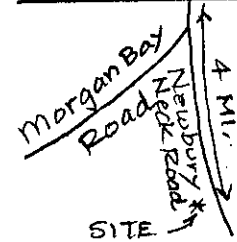
Street, Road, Subdivision
NEWBURY NECK ROAD

Owner or Applicant Name
JIM SACK

SITE PLAN

Scale 1" = 60 Ft.

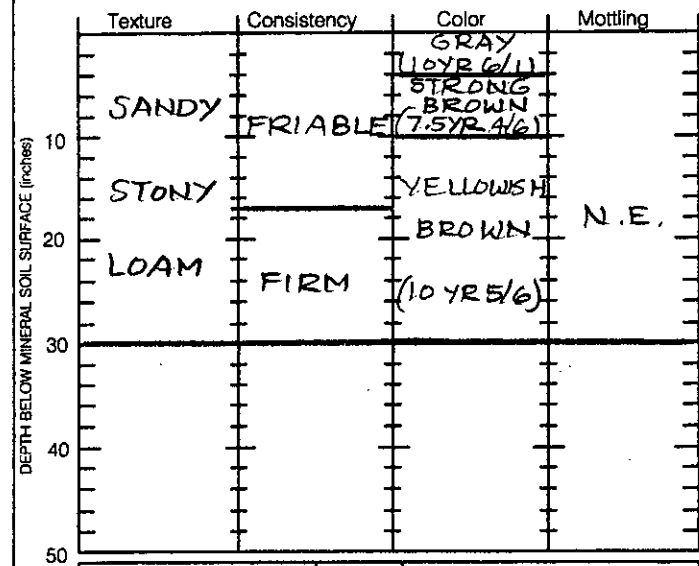
SITE LOCATION PLAN
 (Attach map from Maine Atlas
 for First Time System Variance)
 RT. 172



(SEE ATTACHED SITE PLAN)

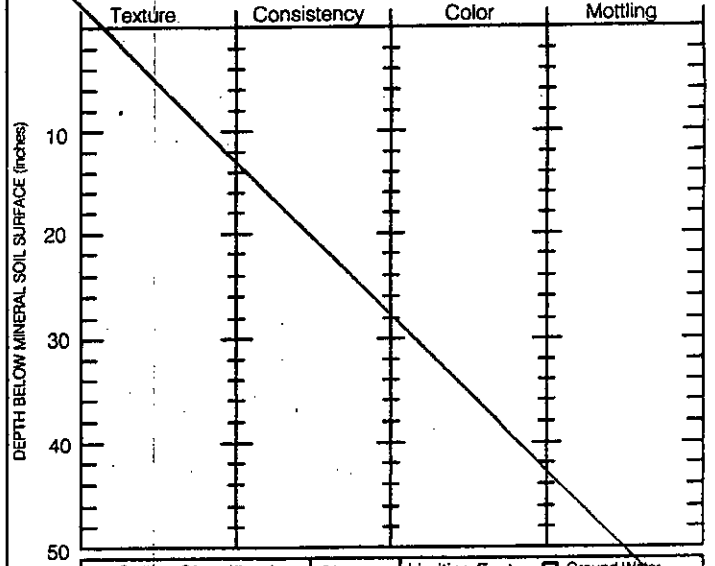
SOIL PROFILE DESCRIPTION AND CLASSIFICATION (Location of Observation Holes Shown Above or on pg. 2A)

Observation Hole #1 Test Pit Boring
2 " Depth of organic horizon above mineral soil



Soil Profile <u>3</u>	Classification Condition <u>C</u>	Slope <u>4%</u>	Limiting Factor <u>17"</u> Depth	<input type="checkbox"/> Ground Water <input checked="" type="checkbox"/> Restrictive Layer <input type="checkbox"/> Bedrock <input type="checkbox"/> Pit Depth
-----------------------	-----------------------------------	-----------------	----------------------------------	--

Observation Hole _____ Test Pit Boring
 " Depth of organic horizon above mineral soil



Soil Profile _____	Classification Condition _____	Slope _____%	Limiting Factor _____" Depth	<input type="checkbox"/> Ground Water <input type="checkbox"/> Restrictive Layer <input type="checkbox"/> Bedrock <input type="checkbox"/> Pit Depth
--------------------	--------------------------------	--------------	------------------------------	---

W. C. LeB
 Site Evaluator's Signature

319
 S. E. #

11-21-15
 Date

Town, City, Plantation
SURRY

Street, Road, Subdivision
NEWBURY NECK ROAD

Owner or Applicant Name
JIM SACK

SITE PLAN:

SCALE: 1" = 60 FT.



ERP, NAIL IN 10" DIA. SPRUCE

PROPOSED 1000 GAL. SEPTIC TANK

PROPOSED HOUSE

THREADED ROD

APPROX. PROPERTY LINES

PROPOSED 21 TYPE B43 GSF UNITS

609'±

616'±

NEWBURY NECK ROAD

W. G. de J.

Site Evaluator's Signature

319

S.E. #

11-21-15

Date

SUBSURFACE WASTEWATER DISPOSAL SYSTEM APPLICATION

Maine Dept. of Health & Human Services
 Division of Environmental Health, 11 SHS
 (207) 287-5872 FAX (207) 287-4172

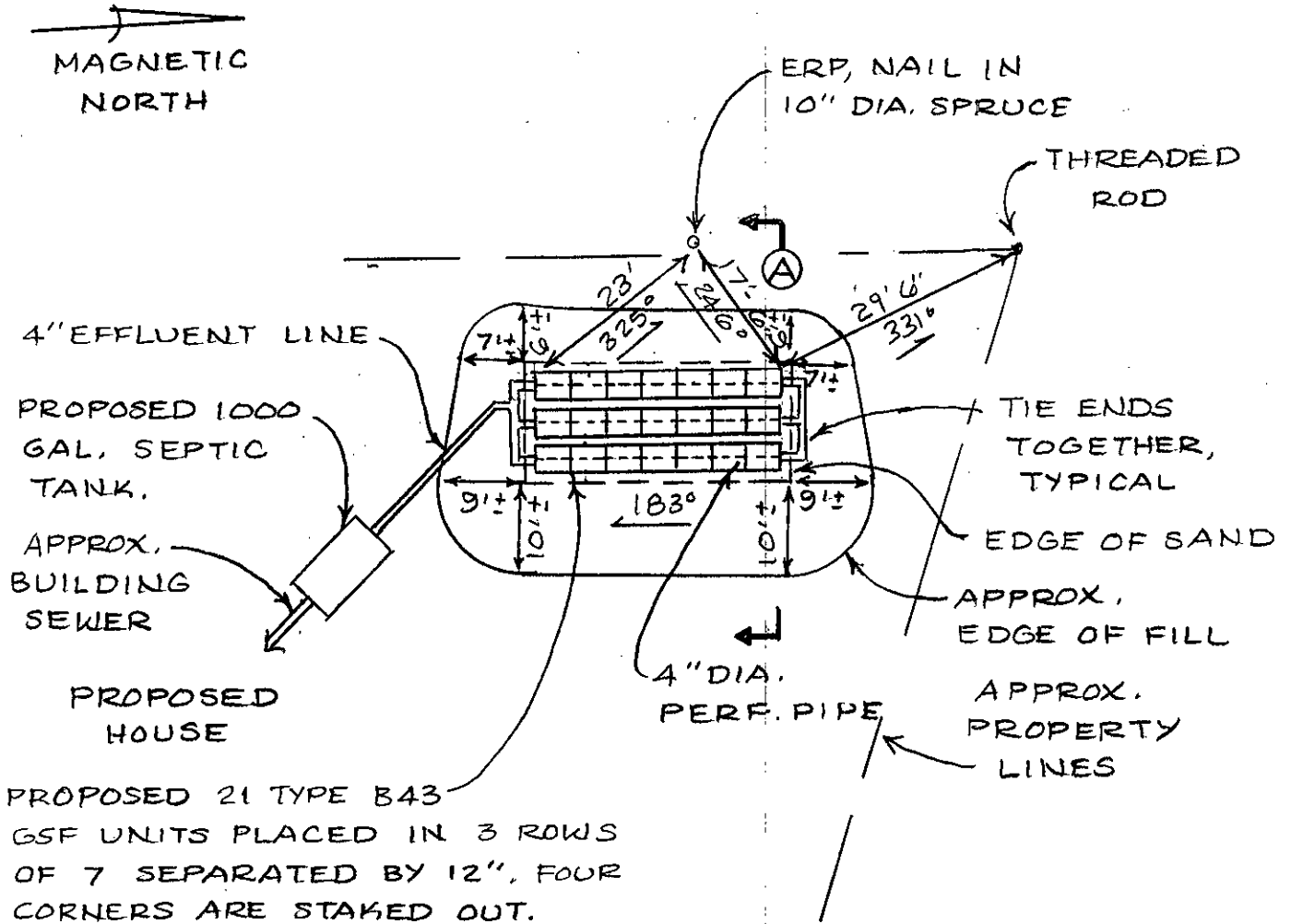
Town, City, Plantation
SURRY

Street, Road, Subdivision
NEWBURY NECK ROAD

Owner or Applicant Name
JIM SACK

SUBSURFACE WASTEWATER DISPOSAL PLAN

SCALE: 1" = 20 FT.



FILL REQUIREMENTS		CONSTRUCTION ELEVATIONS		SYSTEM:	PRIVY:	ELEVATION REFERENCE POINT
Depth of Backfill (Upslope)	12"	Finished Grade Elevation	MIN. -41"			Location & Description NAIL 40"
Depth of Backfill (Downslope)	17"	Top of Distribution Pipe	-49"		N/A	ABOVE GROUND IN 10" DIA. SPRUCE.
Depths @ cross-section shown below or on X-sec. detail.		Bottom of Disposal Field (GSF UNITS)	-60"			Reference Elevation is: 0"

DISPOSAL AREA CROSS SECTION (SEE ATTACHED CROSS SECTION)

NOTES:

1. Tank(s) must be 8' minimum from building.
2. Grade surrounding area to divert surface water away from system.
3. Well to be 51' minimum from septic tank(s) and 100' minimum from disposal field.
4. All work done adjacent to wetlands and water bodies must be done in compliance with section 11-M of the Subsurface Wastewater Disposal Rules. Erosion and sediment control measures must be in accordance with the March 2003 edition of the Maine DEP Handbook "Maine Erosion and Sediment Control BMPs" (DEPW0588).
5. Install septic tank(s) risers 18" in diameter "minimum" to within 6" of finished grade on inlet, cleanout and outlet covers (recommend extending risers to finish grade).
6. Full basement below grade foundation, frost wall or columns must be 20' minimum from edge of disposal field and slab on grade must be 15' minimum from edge of disposal field.

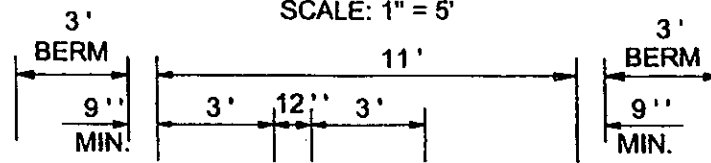
W. C. Little
 Site Evaluator's Signature

319
 S.E. #

11-21-15
 Date

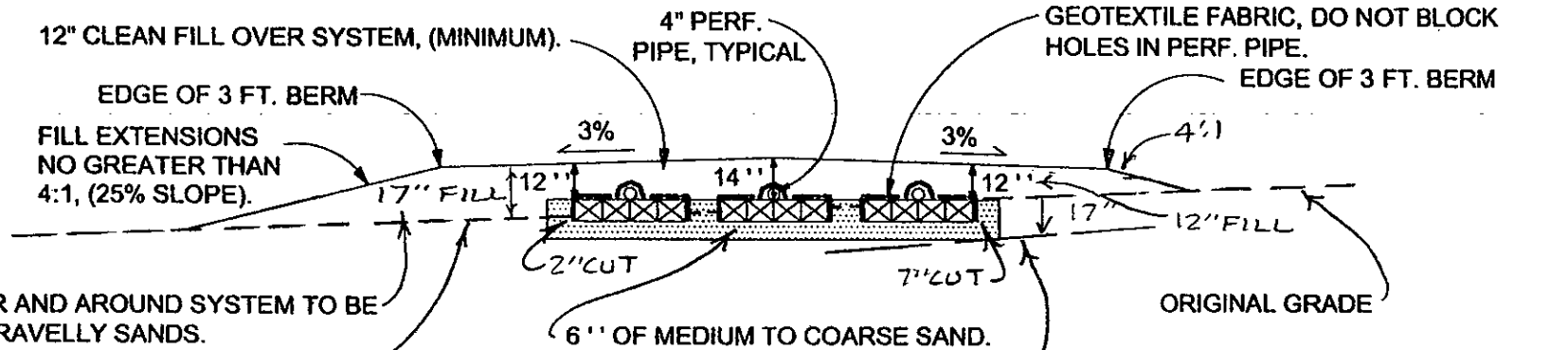
GSF UNITS CROSS SECTION

NOTE: GRADE UPSLOPE TO DIVERT SURFACE WATER AWAY FROM SYSTEM AND HOUSE.



TOP 4" OF FILL TO BE A GOOD LOAM SOIL MIX TO ESTABLISH A GOOD VEGETATIVE COVER; SEED AND MULCH TO PREVENT EROSION, SEC.11-G.

FILL MATERIAL SHALL BE 8"-12" THICK OVER GSF UNITS AND SHALL BE GRAVELLY COARSE SAND TO THE STANDARDS IN SEC. 11-E IN THE SUBSURFACE RULES.



FILL UNDER AND AROUND SYSTEM TO BE COARSE GRAVELLY SANDS.

REMOVE VEGETATION AND SCARIFY ORIGINAL SOIL UNDER ENTIRE FILL AREA, SEC. 11-B.

BOTTOM OF GSF UNITS MUST BE LEVEL WITH MAXIMUM GRADE TOLERANCE OF 2" PER 100'.

THOROUGHLY MIX, DISK OR ROTO-TILL CLEAN, COARSE, SHARP SAND INTO TOP 4 INCHES OF ORIGINAL SOIL TO CREATE A TRANSITION ZONE, SEC. 11-B.

ELEVATIONS:

ELEV. REF. PT. (ERP):	0"
FINISHED GRADE:	-41" MIN.
TOP OF PIPE:	-49"
TOP OF GSF UNITS:	-53"
BOTTOM OF GSF UNITS:	-60"
BOTTOM OF SAND:	-66"

NOTE:

SYSTEM MUST BE INSTALLED ACCORDING TO THE RULES AND PRACTICES SET FORTH IN THE MOST CURRENT VERSION OF THE STATE OF MAINE SUBSURFACE WASTEWATER DISPOSAL RULES. INSTALLATION CONTRATOR MUST BE FAMILIAR WITH SAID RULES AND CONSTRUCT SYSTEM IN FULL COMPLIANCE WITH SECTION 11 OF SAID RULES.

OWNER: JIM SACK
 LOCATION: SURRY

William A. LaBelle, Jr.
 WILLIAM A. LaBELLE, JR.

319
 S.E.#

11-21-15
 DATE