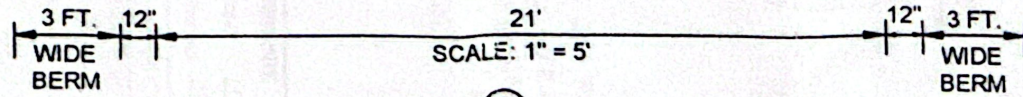


DISPOSAL AREA CROSS SECTION SLOPE 9 %



(A)

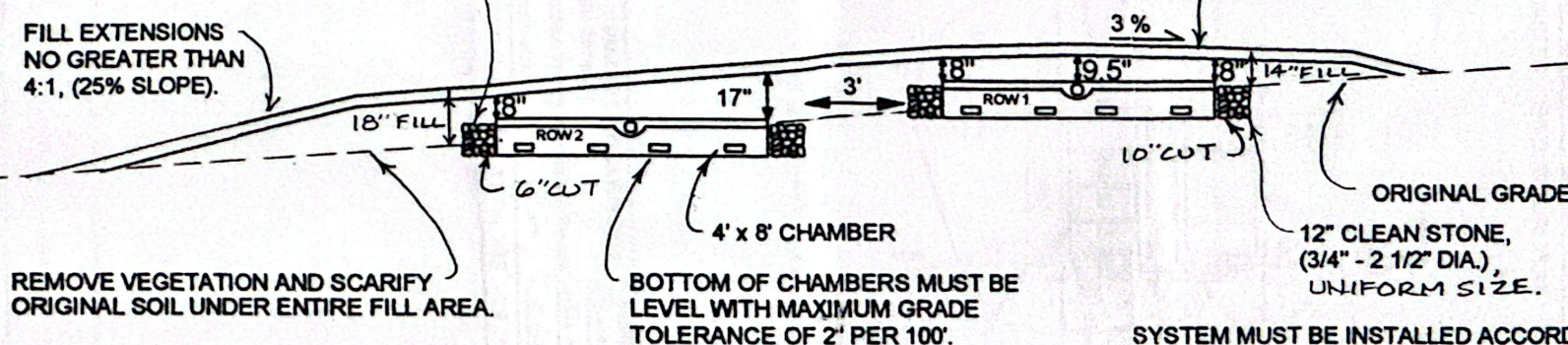
FILL MATERIAL SHALL BE 8"-12" THICK
OVER CHAMBERS AND SHALL BE GRAVELLY
COARSE SAND TO THE STANDARDS IN
SEC. 804.0 IN THE SUBSURFACE RULES.

2" COMPRESSED HAY (OR FILTER
FABRIC) SEC. 805.3 RECOMMENDED
OVER STONE AND CHAMBERS

TOP 4" OF FILL TO BE A GOOD LOAM
SOIL MIX TO ESTABLISH A GOOD
VEGETATIVE COVER; SEED AND
AND MULCH TO PREVENT EROSION.

FILL EXTENSIONS
NO GREATER THAN
4:1, (25% SLOPE).

REMOVE VEGETATION AND SCARIFY
ORIGINAL SOIL UNDER ENTIRE FILL AREA.



SYSTEM MUST BE INSTALLED ACCORDING
TO THE RULES AND PRACTICES SET FORTH
IN THE SUBSURFACE WASTEWATER RULES,
IN EFFECT AT THIS TIME.

ELEVATIONS:

ELEV. REF. PT. (ERP):	0"	ROW 1	ROW 2
FINISHED GRADE:		-22"	-36"
TOP OF CHAMBERS:		-33"	-47"
BOTTOM OF CHAMBERS:		-46"	-60"

OWNER: PAUL SODANO
LOCATION: FRANKLIN

W A LaBelle

WILLIAM A. LaBELLE

319

S.E.#

8-15-08

DATE

SUBSURFACE WASTEWATER DISPOSAL SYSTEM APPLICATION

Department of Human Services
Division of Health Engineering
(207) 287-5672 FAX (207) 287-3165

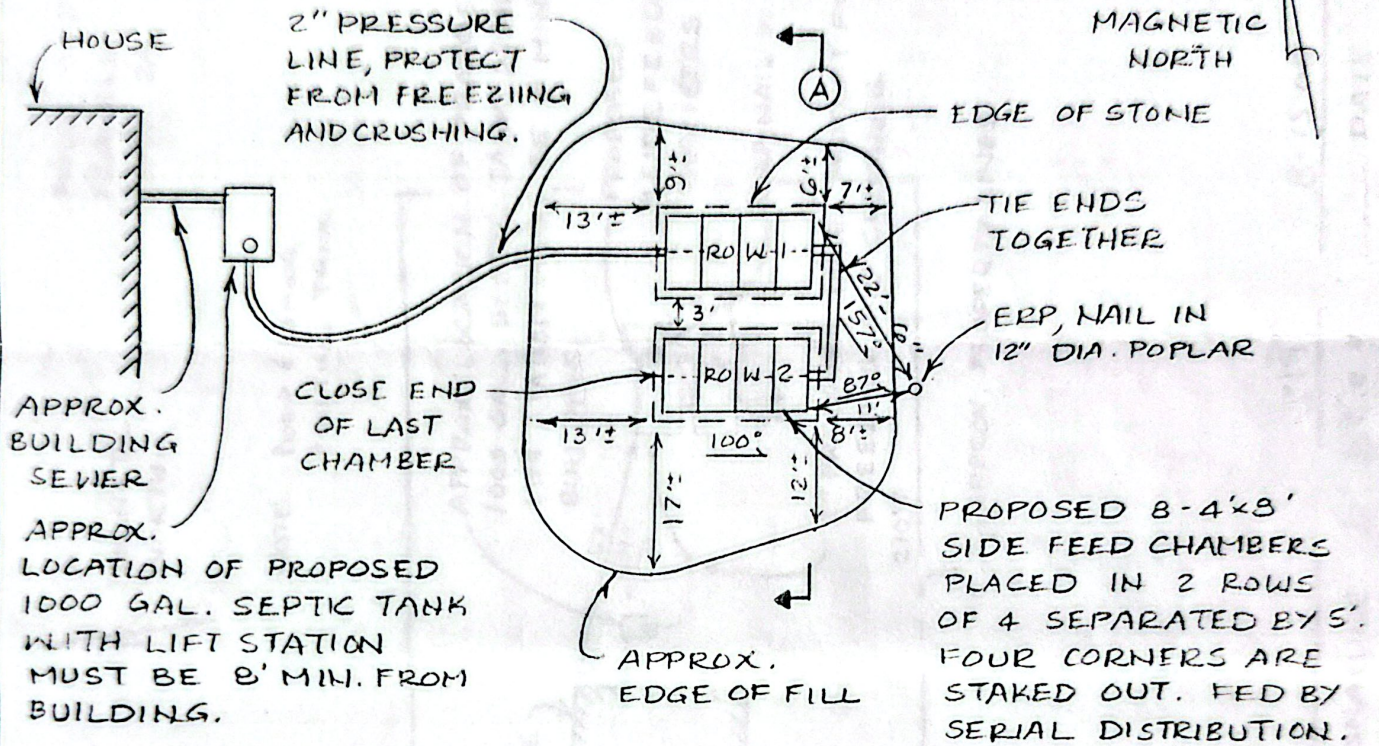
Town, City, Plantation
FRANKLIN

Street, Road, Subdivision
GOODWIN ROAD

Owner's Name
PAUL SODANO

SUBSURFACE WASTEWATER DISPOSAL PLAN

SCALE: 1" = 20 FT.



FILL REQUIREMENTS		CONSTRUCTION ELEVATIONS		SYSTEM:	PRIVY:	ELEVATION REFERENCE POINT
Depth of Fill (Upslope)	14"-24"	Finished Grade Elevation	(See	attached	N/A	Location & Description <u>NAIL 43"</u>
Depth of Fill (Downslope)	18"-26"	Top of Distribution Pipe or Proprietary Device				<u>ABOVE GROUND IN 12" DIA.</u>
		Bottom of Disposal Area	X-sec.)			<u>POPLAR.</u>
						Reference Elevation <u>0"</u>

DISPOSAL AREA CROSS SECTION (SEE ATTACHED CROSS SECTION)

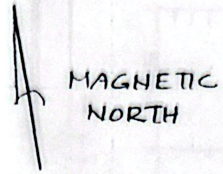
Walter C. DeB...
Site Evaluator's Signature

319
S.E. #

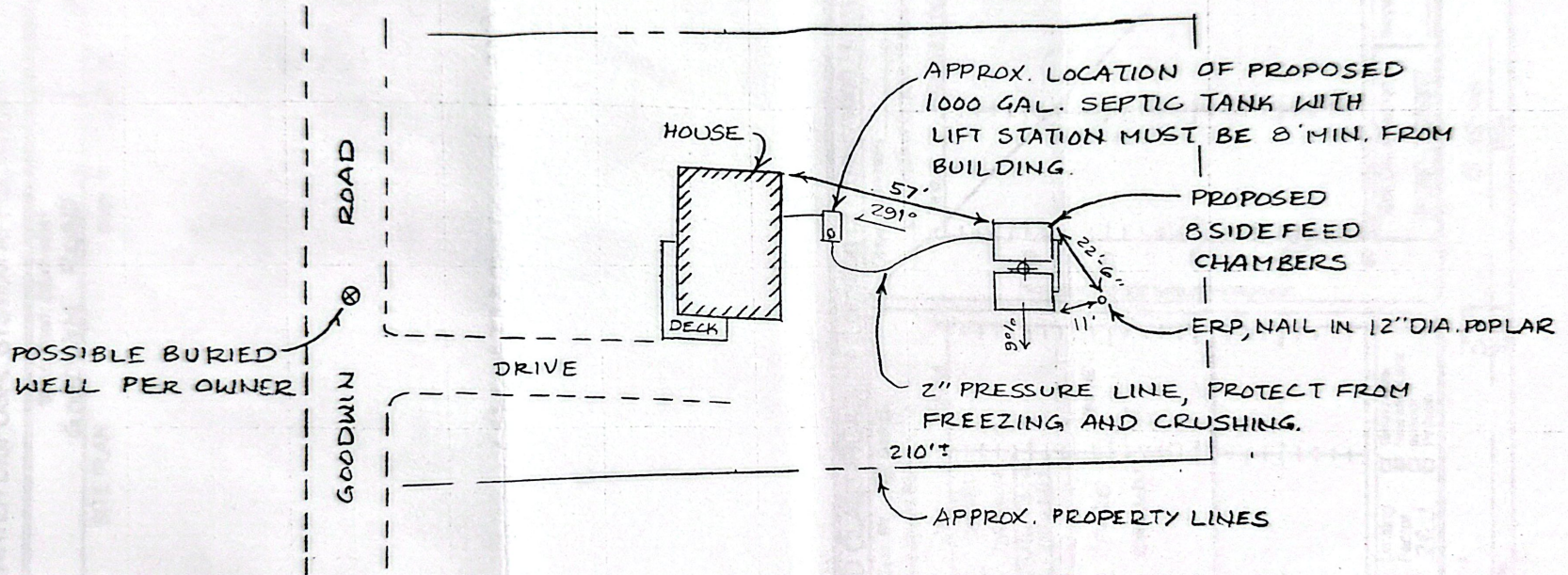
8-15-08
Date

SITE PLAN:
SCALE: 1" = 40'

PAUL SODANO
FRANKLIN
PAGE 2A



NOTE: PUMP & REMOVE
EXISTING TANK



W. G. 2073

SITE EVALUATOR'S SIGNATURE

319

S.E.#

8-15-08

DATE